

# MODEL: SLCB-4A

RGB LOW VOLTAGE COLOR CONTROLLER

## Summarization

IR 15-key controller uses a advanced micro-control to control LED RGB FLEX Strip. RGB Controller can carry out jumpy changing colors, gradual changing color effect ,strobe-flash and other effects.

## Technical Parameters

- Working temperature: -20-50 °C
- Max Amps input: 4 amps
- Supply voltage: 12 or 24VDC (ONLY ONE)
- Output: 3 channels
- Connecting mode: common anode
- External dimension: L42X28X16mm
- Net weight:100g
- Static power consumption: <1W
- Output current: <2A (each channel)
- Max Output power: , 12V:<72W, 24V:<144W
- For Indoor use only (Dry Area)

NOTE: For use with class two type power supplies.



**INPUT VOLTAGE MUST BE IDENTICAL TO OUTPUT VOLTAGE (LOW VOLTAGE ONLY).**

WIRE 7-8 MM

EXPOSED WIRE SHOULD NOT BE MORE THAN 10MM (3/8" LONG) & SOLDER TIP TO PREVENT WIRE FROM FRAYING. DO NOT ALLOW WIRES TO CROSS AND TIGHT FIRMLY IN SCREW TERMINALS USE 18 GAUGE WIRE OR THICKER, AS REQUIRED. MAX 10 FEET (3 METERS) FROM CONTROLLER TO RGB LIGHTS.

## INPUT VOLTAGE MUST BE IDENTICAL TO OUTPUT VOLTAGE (LOW VOLTAGE ONLY).

-Use just in accordance with the requirements of the instruction book.

-Do not use near electronic equipments such as medical equipment, air craft or equipment that is sensitive to magnetic field.

-Maximum length of wires from the controller to the LEDS must not exceed 3 meters (10 feet).

-Maximum length of wires from the power supply to the controller must not exceed 3 meters (10 feet).

-Do not use in wet locations or near flammable(s), or possibility of in the future. Do not install in areas subject to movement or possibility of mechanical vibrations. Do not use if product has been damaged (hit, stepped on, cracked, ect...)

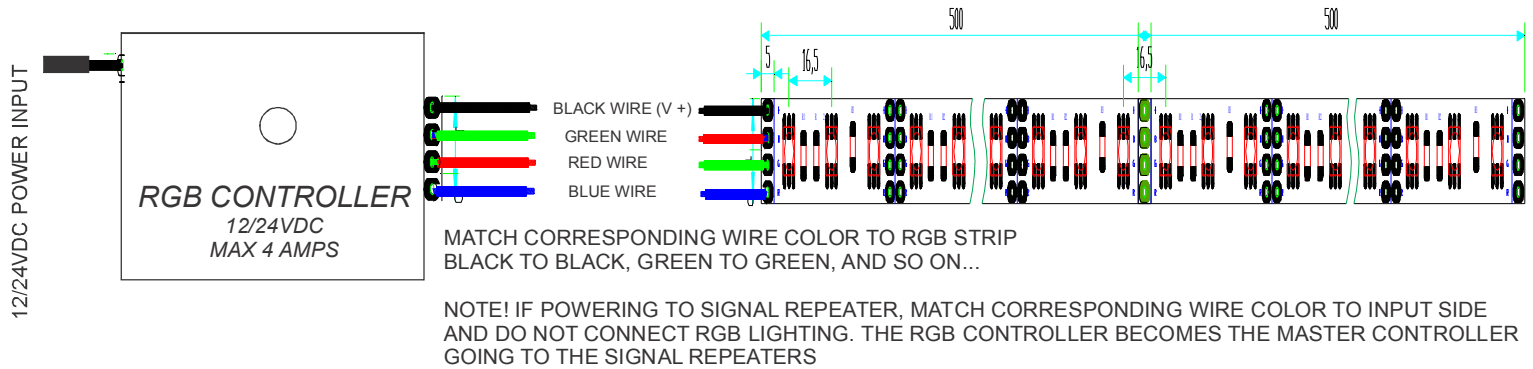
Do not service power source or controller.

Disconnect power before installing.

Not for in-wall installation.

Keep out of children's reach. This is not a toy.

If powering by battery, install **3 AMP fuse on the positive wire before the RGB Controller. Not included.**



## WARNING: ONLY QUALIFIED PERSONNEL SHOULD PERFORM INSTALLATION.

**TO AVOID ELECTRICAL SHOCK OR COMPONENT DAMAGE, DISCONNECT POWER BEFORE ATTEMPTING INSTALLATION OF THE POWER SUPPLIES.**

Failure to install the power supplies and/or LED modules in accordance with the National Electric Code (NEC), all applicable Federal, State and local electric codes as well as the specific Underwriters Laboratories (UL/CSA) safety standards for the installation, location and application may cause serious personal injury, death, property damage and/or product malfunction. These instructions are guidelines for installation modules and power supplies. Installation requirements may vary depending on the application. Licensed electricians should provide all installation services for connection of both primary and secondary (input/output) of the power supplies.

**When using power supplies; the following basic safety features should be verified in addition to any other application specific concerns and local safety codes:**

**Short circuit protection.**

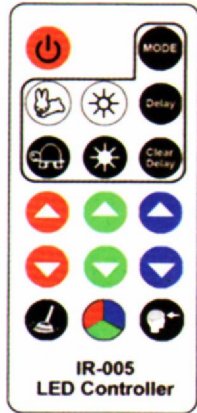
**Overload protection (FUSED 5 AMPS MAX).**

**Overheat protection.**

**Correct output voltage, including consideration for ripple and spikes.**

**Correct wire gauge and wire distance.**

LED Controller IR-005	
Instruction	
	Power ON/OFF
	Includes (Smooth flow, Strobe, and Fading) with RGB true color changing (Note: Each mode is pre-programmed with the 1st speed when change these 3 modes)
	Delay (for RGB Lamps: Marquee Lighting effects / for RGB controller: Flash effects)
	Clear the Delay effects
	Brightness adjuster ( 8 scales) (for Strobe,Fading and Smooth flow)
	Speed adjuster ( 8 scales)(for Strobe,Fading and Smooth flow)
	Dimmer for Red LED (20 scales)
	Dimmer for Green LED (20 scales)
	Dimmer for Blue LED (20 scales)
	Includes pre-programmed colors of Red, Orange, Yellow, Green, Blue, Cyan, Purple
	Clear the Color
	Save Color, Mode, Delay, and Speed



Battery Type: CR2025/3V

IF press + , when you power on, it will show "darkness". Pls press + + the light will be restored

