



# 0-10V Wireless Dimmer

## E3X-D01FP (0-10V w/ ON/OFF Control & Sensor Input)

The 0-10V Wireless Dimmer responds to wireless light switches and transmitters to control dimmable LED power supplies, dimmable fluorescent ballasts, or actuators.

The dimmer can also turn off or dim lights based on signals from wireless or wired sensors detecting occupancy or available natural light.

### Easy-To-Use

- Installs in minutes
- Easy configuration
- Requires no switch leg wires
- Variable or ON/OFF control of LEDs, fluorescent lights, or actuators.

### Reliable Range

- 50-150 foot range (typical)
- Compatible with all ILLUMRA switches
- Error checking ensures response only to configured wireless switches
- A single transmitter can control unlimited 0-10V Dimmers in range
- Can function as a repeater

### Save Energy, Time, and Money

Avoid costly and time-consuming installation of hardwired switches. Conserve energy and save money by choosing ILLUMRA.



### Ultra Smooth Wireless Dimming

- Dimmable fluorescent ballast control
- Dimmable LED power supply control
- Manual ON/OFF automatic OFF controls

### Dimming Control The Way You Want It

Control the ILLUMRA 0-10V Dimmer with a variety of devices:

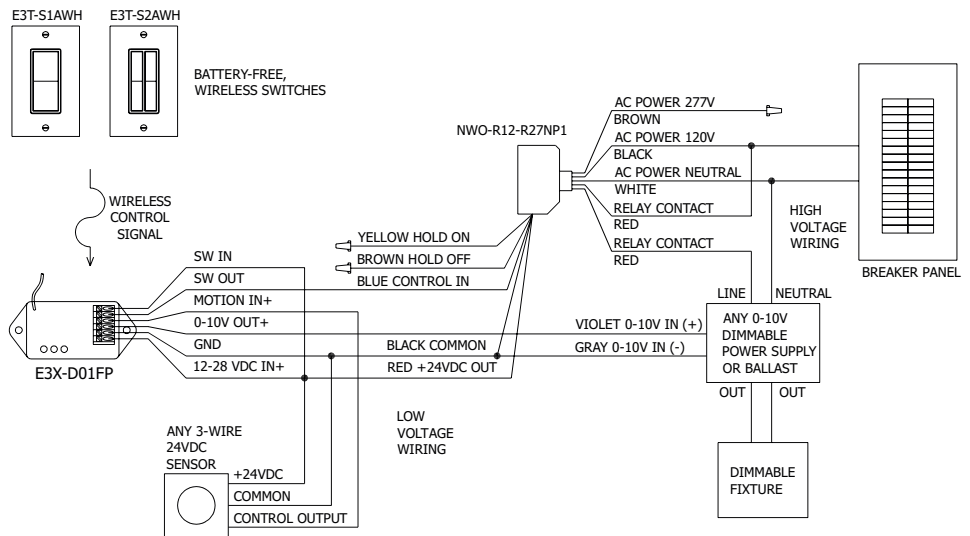
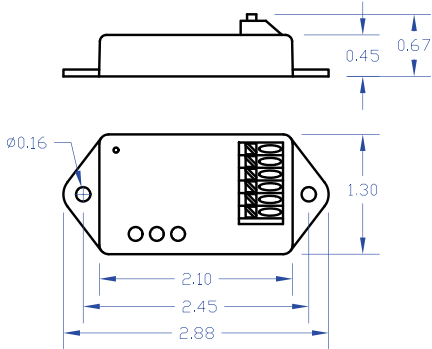
- Self-powered wireless light switches
- Wireless light sensors
- Wireless or wired occupancy sensors
- More

|                                | E3X-D0FP  |
|--------------------------------|---|
| Range                          | 50-150 feet (typical)   |
| Frequency                      | 315 MHz   |
| Power Supply Input Rating      | 12-28V  |
| Sensor Input Rating            | 0-28VDC, <1V is Low, >3V is High                                |
| Output Rating, 0-0V Output     | 4mA   |
| Output Rating, Switched Output | 5A DC, isolated, 30 VDC max                                     |
| Input Channels                 | 1 motion detector / sensor input                                |
| Output Channels                | 1 output 0-10V, 1 switch output                                 |
| Operating Temperature          | 13° to +140°F (-25° to +60°C)                                   |
| Storage Temperature            | -40° to +140°F (-40° to +60°C)                                  |
| Dimensions (enclosure)         | 2.88" (W) x 1.30" (H) x 0.67" (D)<br>7.32cm x 3.30 cm x 1.70 cm |
| Radio Certification            | FCC (United States): SZV-TCM2XXC<br>IC (Canada): 5713A-TCMXXC   |

### Network Diagram

ILLUMRA  
0-10V DIMMER WITH ON/OFF CONTROL AND SENSOR INPUT

ALWAYS INSTALL DEVICES IN ACCORDANCE WITH  
LOCAL ELECTRICAL CODES AND REGULATIONS



#130 10615 48 St SE  
Calgary, AB T2C 2B7  
1-800-387-4081

This device or certain aspects thereof is protected by at least one U.S. or international patent or has at least one such patent application pending.



AHD0210C

ILLUMRA is a trademark of Ad Hoc Electronics, L.L.C. Other trademarks herein are the property of their respective owners.