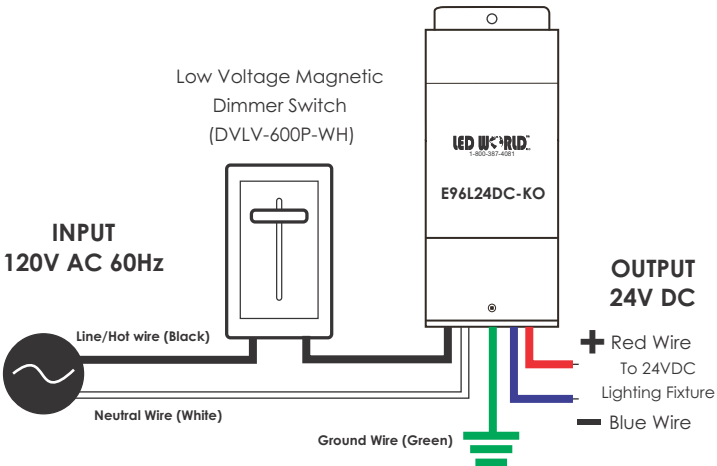
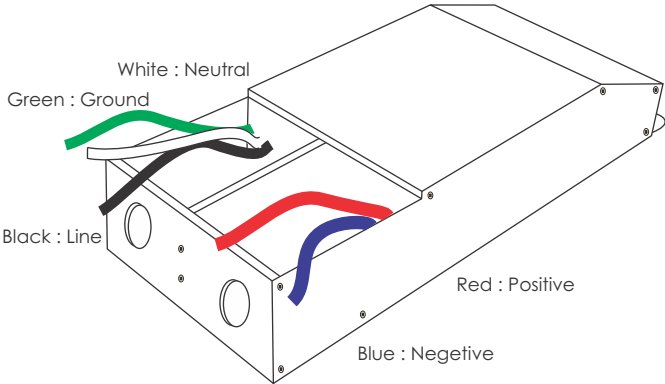


E96L24DC-KO Installation Instruction

Class 2 24VDC Electronic Dimmable Driver

Total Wattage: 96W Max (Max continuous 77W)
Input Voltage: 120V 60Hz



⚠ USE ONLY WITH MAGNETIC LOW VOLTAGE DIMMER SWITCH
(Tested with Diva 600-Watt Single Pole Magnetic Low Voltage Dimmer)



- Read instructions completely before installation
- Turn off electricity before wiring
- Only qualified personal should install the unit
- Installation must comply with the NEC
- Ensure the unit has input, output voltage and output wattage proper for your application
- Use only with **Magnetic Low Voltage Dimmer Switch**



This transformer is to be installed in accordance with Article 450 of the National Electric Code. The transformer must be installed in a well-ventilated area free from explosive gases and vapors. Proper operation requires for free flow of air. As this transformer is hardwired it should only be installed by a qualified electrician.

Precautions Before Installing

Check the label and ensure the transformer has the proper input voltage and wattage for the job. Check the wire markings to ensure they match the wiring diagram on this installation guide. Turn off power at breaker.

Mounting

Select a suitable location capable of supporting the weight of the transformer. Use the two keyholes in the transformer case. It is recommended that the transformer be mounted vertically with the wiring compartment pointing down.

Input Connections / Grounding

Remove the wiring compartment cover and install the clamp connectors provided with the driver. With power turned off, route the input wires through the clamp connector and connect one wire to black and one wire to white. For all wire connections use only UL listed wire nuts and connectors of suitable size and type. The transformer case **MUST** be grounded in accordance with the N.E.C. Connect the ground wire to the transformer green wire.

Output Connections (Low Voltage)

Bring the wires of the light fixture through the other open clamp connector and connect them to the transformer wires - positive to the red(+) wire and negative to blue(-) wire. **Measuring the output voltage without a load will result readings greater than the nominal voltage.**

Dimming

Dimmable with any standard MLV/Incandescent TRIAC (Leading edge) dimmer switches. Dimmer switches is to be installed on the input (120VAC side) of the driver.

For smooth dimming 8W minimum load is required