

LED Back Light Modules

Model: ST2-3-X (COLOR : W = Cool White, WW = Warm White)



Caution
Use only with Class 2
type power supply!

FEATURES

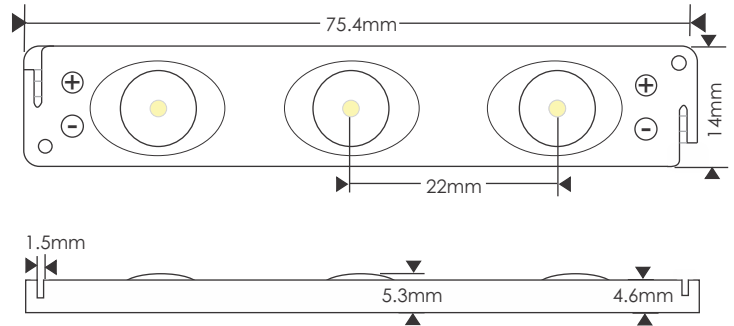
- LED Modules are sealed to IP65 Standard
- Peel & stick adhesive back or screw mount
- Double sided 3M Tape backing
- 2835 SMD chip.
- Low voltage, energy efficient, virtually no maintenance. Can be cut between each module (by locally licensed electricians).

APPLICATIONS

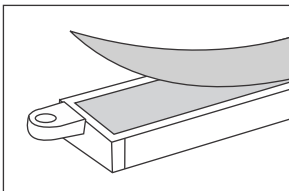
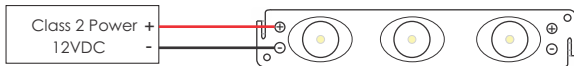
- Concealed Lighting
- Backlighting for Signage Letters
- Channel Letter Lighting
- Cove Lighting
- Field Separable

SPECIFICATIONS	
Max Voltage	12 VDC
Wattage	0.72 Watts each module
Set Length	15ft (4.5 meter) / 30 Modules
Watt/Set	21.6 Watts (30 Modules)
Dimensions	75.4(L) x 14(W) x 4.6(H)mm (2.96" x 0.5" x 0.18")
Weight	5g
Housing	PVC
LEDs Type	2835 SMD LEDs
LED Angle	160°
Lamp Life	40,000 hours estimated average
Color Temperature	2900~3100K(Warm White), 6000~6100K (Cool White)
Brightness	54lm/module, >=2800K
Max Modules	30 Modules continuous by wire (20 AWG)
Certifications	CE, RoHS, cRUUS
Max Run	30 Modules, Do not exceed
IP Rating	IP65 (Water Resistant)

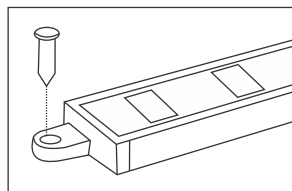
DIMENSIONS



CONNECTION WITH POWER SUPPLY

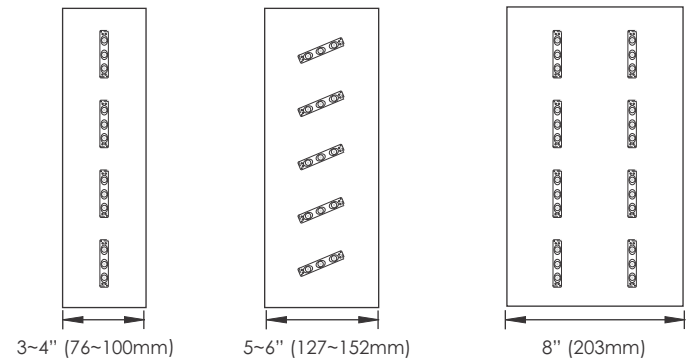


Please rip PE adhesive tape on the back of the product, then stick to the objects where you want

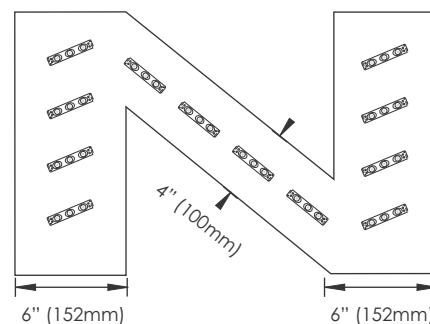


Use the screws to fasten it again

SUGGESTED CHANNEL MODULE SPACING GUIDE



SUGGESTED LETTER CHANNEL MODULE SPACING GUIDE



Caution:

Use only with Class 2 power units. Failure to use listed Class 2 power supplies will void warranty and create a serious hazard.

When using power supplies; the following basic safety features should be verified in addition to any other application specific concerns and local safety codes:
Short circuit protection/ Overload protection / Overheat protection.
Correct output voltage, including consideration for ripple and spikes.
Correct wire gauge / Class 2 type Power supply

NOTE: Pigtail wires at both ends. Terminate wires at one end to prevent crossover and short circuit.