

# 150W LED Highbay

Part No: HD-HB04-150WD-H5000K

## Important Instructions

### Warning

- Personal injury or death. Check load ratings to determine the unit's suitability for your application.
- To avoid fire, shock or death please turn off power at circuit breaker. Ensure that the power is off before wiring.
- Connect luminaire wires as per wiring diagram. For 120~277VAC operation Black wire to load (L), White wire to Neutral (N) and Green wire to Ground (G).
- **To be installed by qualified licensed electrician. Light fixture is to be sold with instructions.**

This High Bay light is designed for illumination of industrial locations. It uses the LED lighting technology for long life, low maintenance and high efficiency.

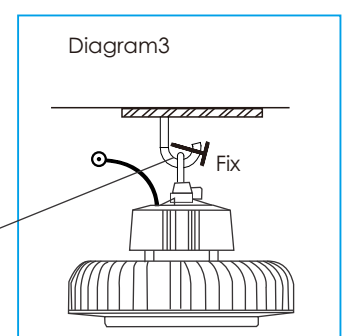
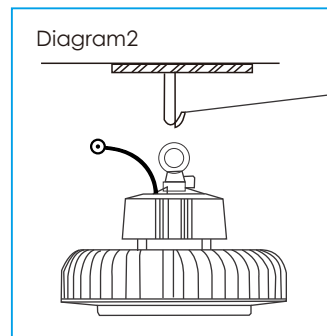
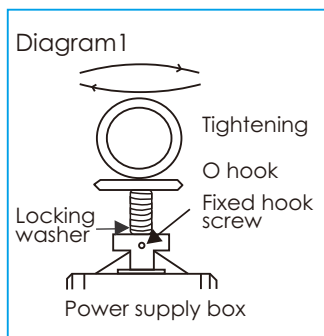
### Product Specifications



<b>Power</b>	150W
<b>Voltage Range</b>	AC100-277V 50/60Hz
<b>Operating Temp</b>	-30°C to 40°C (-22°F ~ 104°F)
<b>Lumens</b>	147lm/w
<b>Lumens Output</b>	21, 977 lm
<b>Weight</b>	3.4 kg (7.6 lbs)
<b>Environment</b>	Dry or Damp indoor location use only

### Installation Guide

- Turn Power Off at the breaker before installing.
- For maximum long term reliability and light output, the light must be installed in free air. Do not cover or install near combustible material.
- Feed the power to a the junction box with strain relief.
- Connect power cable conductors as follows: Green wire to (safety) ground (G), White wire to Neutral (N) and Black wire to Load (L).
- Recommended mounting height is 14-40 feet (4~12m).
- After installation is completed, restore power and verify operation.

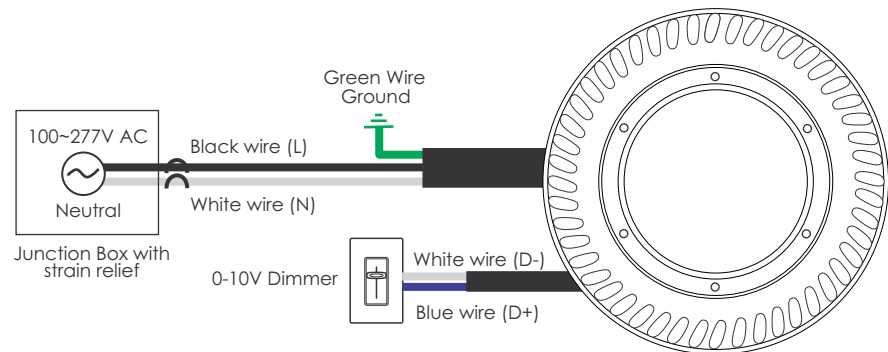


**WARNING:** TO BE INSTALLED AND/OR USED IN ACCORDANCE WITH NEC AND REGULATIONS.

# 150W LED Highbay

Part No: HD-HB04-150WD-H5000K

## Wiring Diagram



### 0-10V Dimming option:

- The low voltage dimming (0-10V) wires are connected to the grounded output section of the driver inside the light. Never connect either one to the Hot or Neutral supply wires.
- Never use these wires for any purpose other than dimming.
- The White (D-) wire is at ground potential.

An analog 0-10V active dimmer may be connected to the two wires to control the light output of the fixture. Multiple lights may be connected to the same dimmer, as long as the maximum current rating of the dimmer is not exceeded.

**NOTE : If not using 0-10V dimming options, terminate each of the two wires with wire connectors to prevent cross contact. See Fig 1.**

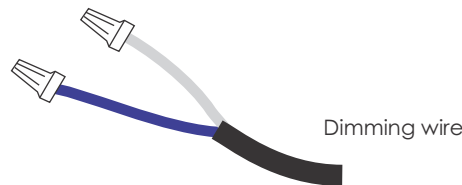


Fig 1.

## Maintenance

- To avoid personal injury, disconnect power to the light and allow the unit to cool down for 30 mins before performing maintenance.
- **Warning:** No user serviceable parts inside of fixture. Risk of electrical shock. Removal of the lens will void the warranty.
- Perform visual, mechanical and electrical inspections on a regular basis. We recommend routine checks to be made on a yearly basis.
- Inspect the cooling fins on the luminaire to ensure that they are free of any obstructions or contamination (i.e. excessive dust build-up). Clean with non-abrasive cloth if needed.