

27W LED WORK LIGHT : Flood

Model: SM-5027-SXA

FEATURES

- Taiwan Epistar LEDs
- Super bright work flood light
- IP67 rated Water and dust resistant
- Integral heat sink for long life of LEDs
- Includes adjustable angle bracket mount

APPLICATIONS

- Off-road
- Service Trucks
- Excavators
- Agricultural Machinery
- Construction Vehicle

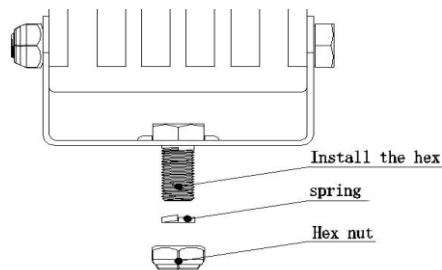


SPECIFICATIONS

Power	27W
Voltage	12~30 VDC
Luminous Flux	2000lm
Beam Type	Flood
Dimensions	152.4L x 111.76W x 40.64H mm (6" x 4.4" x 1.6")
LED Quantity	9pcs x 3W
Color Temperature	6000K
IP Rating	IP67 (Dust and Water resistant)
Material	ADS12 die-casting aluminum shell, PMMA lens, 304 stainless steel bracket
Weight	0.42Kg (0.92lbs)

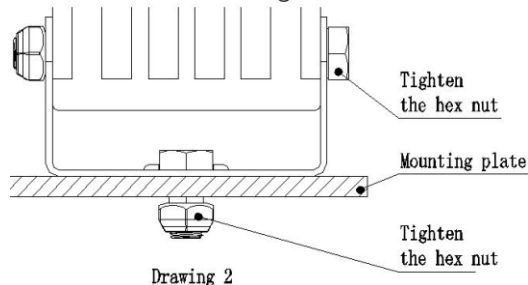
INSTALL GUIDE

- Ensure that Power is off before installation.
- **When connecting to battery ensure that light is fused at 10 Amps on V+ side. If harness kit (optional) included, use the harness kit that is fused.**
- Red line is positive(+) and black line is negative(-)
- Install the hex nut and the spring on bolt as shown below



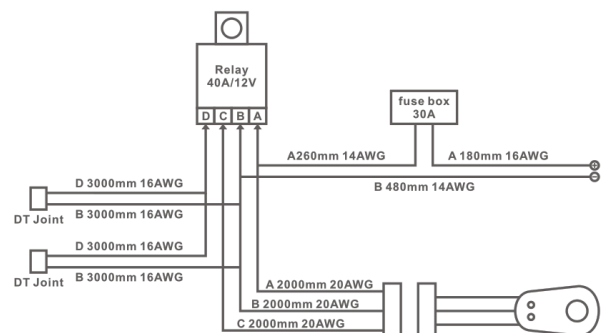
Drawing 1

- Tighten the hex nut as shown in diagram



Drawing 2

Wiring Harness connection diagram(SM-W007)



NOTE

- Do not use product if there is visible damage on the lens or housing