

# 48W LED WORK LIGHT : Flood

Model: SM-5048-SXA

## FEATURES

- High Powered CREE LEDs
- Easy to install
- Integral heat sink for long life of LEDs
- IP67 rated Water, dust and shock resistant
- Includes adjustable angle bracket mount

## APPLICATIONS

- Off-road
- Service Trucks
- Excavators
- Agricultural Machinery
- Construction Vehicle

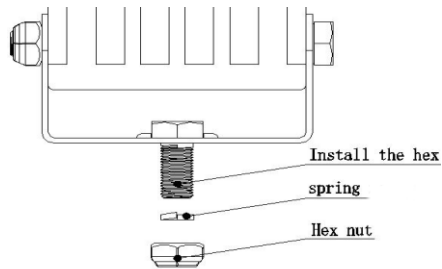
## SPECIFICATIONS

Power	48W
Voltage	12~30 VDC
Luminous Flux	4800lm
Beam Type	Flood
Dimensions	155(L) x 125(W) x 88(H)mm (6.1" x 4.9" x 3.4")
LEDs	Cree LEDs (48W)
Color Temperature	6000K
IP Rating	IP67 (Dust and Water resistant)
Material	ADS12 die-casting aluminum shell, glass lens, 304 stainless steel bracket
Weight	1.45Kg (3.19lbs)



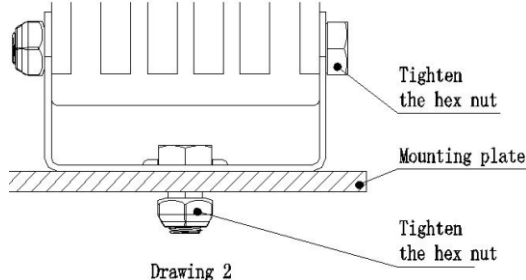
## INSTALL GUIDE

- Ensure that Power is off before installation.
- **When connecting to battery ensure that light is fused at 10 Amps on V+ side. If harness kit (optional) included, use the harness kit that is fused.**
- Red line is positive(+) and black line is negative(-)
- Install the hex nut and the spring on bolt as shown below



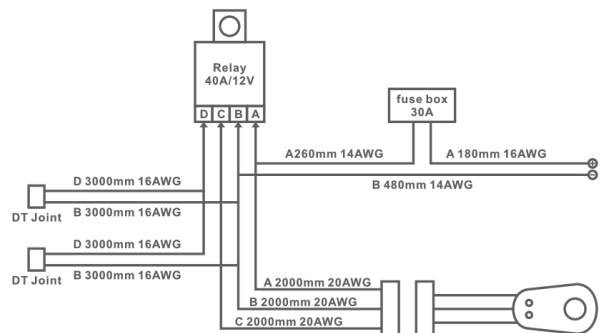
Drawing 1

- Tighten the hex nut as shown in diagram



Drawing 2

## Wiring Harness connection diagram(SM-W007)



## NOTE

- Do not use product if there is visible damage on the lens or housing