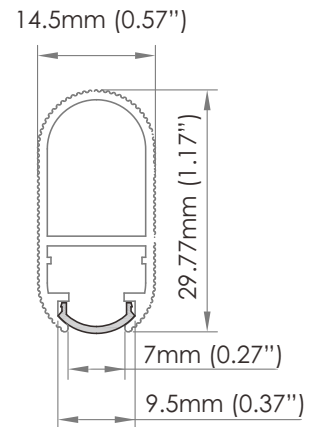


# Closet LED Aluminium Channel



## Channel Dimension



### Included Items



Closet Aluminum Profile  
(2m/6.56ft)



PC Cover



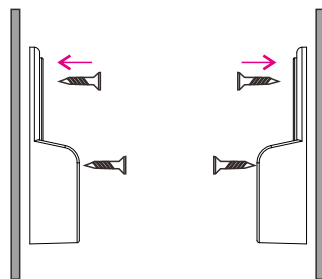
End Cap pair



Hanging Bracket pair

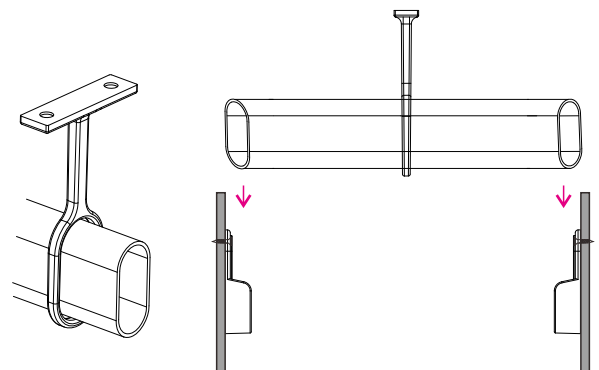
### Installation Steps

#### Step 1



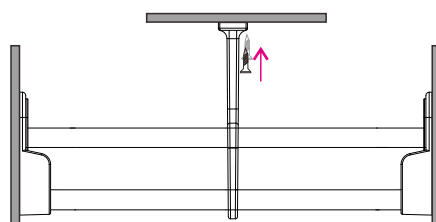
Fix the end caps in wardrobe/closet with M3 x 16 screws.

#### Step 2



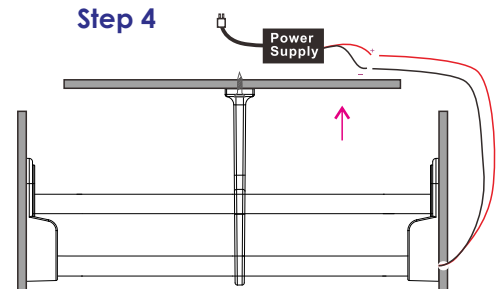
Pass LED profile R003 through the hanging bracket and mount it on the End caps.

#### Step 3



Fix the hanging bracket with M3 x 16 screws. (We recommend 1 hanging bracket at each 25cm for better support).

#### Step 4



Connect to a class 2 power supply.

