

IMPORTANT INSTRUCTIONS

CAUTION: To reduce the risk of electric shock:

- Use only insulated staples or plastic ties to secure cords.
- Route the low voltage wire from the light so that they will not be damaged or pinched when the cabinet is installed (pushed to the wall).
- Not intended for recessed ceiling installation or soffits.

Low voltage portable cabinet light maybe installed in furniture or cabinets when:

- The power supply is located outside cabinets and is not concealed (this does not apply to the wiring between the light and the power supply).
- When the low voltage wire are not concealed or pass through the structure of the building (concealed behind the wall) where it may be inaccessible for examination or where damage to may go unnoticed.
- Cords should be visible and examined regularly.

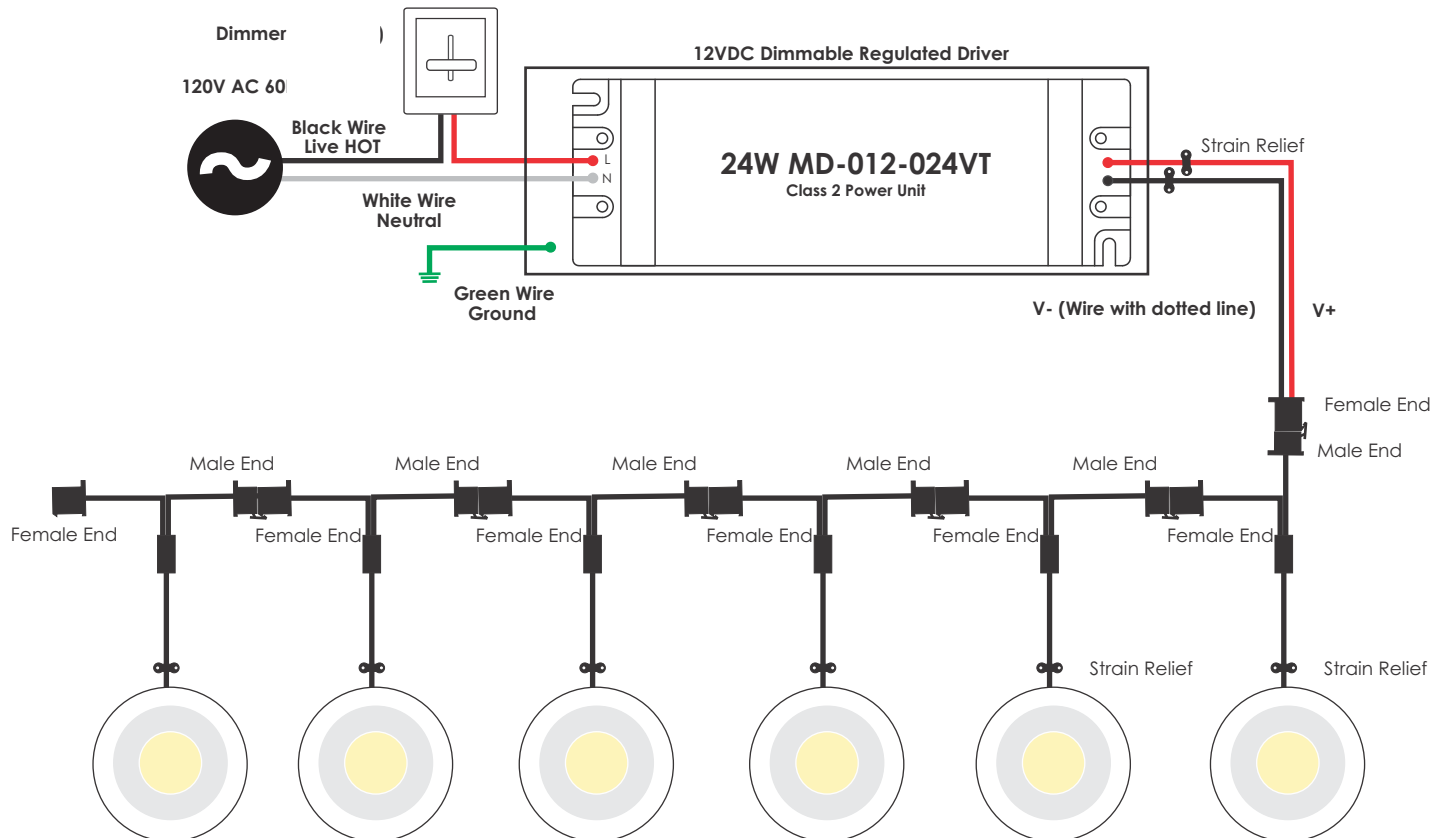
Installation instructions:

- Must be installed by a qualified licenced electrician.
- Turn power off prior to installation.
- Bore a hole Ø2.36" (60mm) minimum recess depth required 5/8" (15mm).
- Route the low voltage wiring through the hole.
- Insert the light into the hole; fiction fit light will lock in place.
- Plug the light's low voltage wiring into the class 2 LED power supply. (#MD-012-060VT, #MD-012-024VT , #MD45W12VA - sold separately).

WARNING: Always connect the LED light to the power supply first and then connect the power supply to the mains. Failure to do so may cause damage to the existing diode.

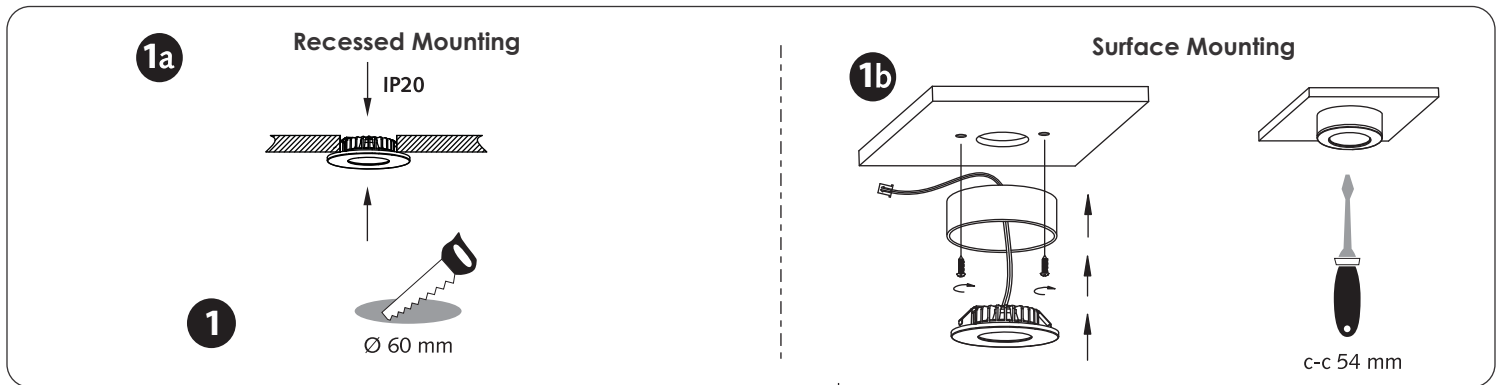
For Under Cabinet lighting and Under Counter Top Lighting

Wiring Diagram



Warning: Only connect 6 pucks in serial with included 24W Class 2 driver

For Under Cabinet lighting and Under Counter Top Lighting



Recessed Mounting:

- Turn off the power at breaker
- Drill a Ø60mm hole through cabinet or shelf, see fig 1.
- Connect light to the Class 2 driver.
- Insert the recessed puck light into the cut hole, see fig 1a.
- Turn on the power.

Surface Mounting:

- Turn off the power at breaker.
- Take the surface mounting ring off the fitting, see fig 1b.
- Mount the ring to surface with the attached screws, pay attention to the direction of the notch for the cord, see fig 1b.
- Connect light to the Class 2 driver
- Insert the recessed puck light back into the surface mount ring, see fig 1b.
- Turn on the power.