

## Important Note

- Read instructions completely before installation. To be sold with instructions.
- Only qualified personal should install the unit.
- Installation must comply with the NEC and CEC.
- Ensure the unit has the proper input, output voltage and output wattage for your application.

## Precautions Before Installing

- Check the label and ensure the driver has the proper input voltage and wattage for the job.
- Check the wire markings to ensure they match the wiring diagram on this installation guide.
- Turn off power at breaker before starting.

## Installation Guidelines

- The driver must be installed in a well-ventilated area free from explosives gases and vapors. Proper operation requires for free flow of air. Do not install inside a cabinet smaller than 12 W x 12 H x 15 L inch. If you are installing multiple drivers, keep a minimum space of 5" (127mm) between each driver. **For Indoor use only.**
- Operate only within specified ambient temperature range of 4°F (-20°C) to 104°F (40°C). Operating at cooler surrounding air temperature will extend driver life.
- Do not overload. Total wattage of all LED fixtures used must not exceed the 192 watt rating of this power supply. **Maximum of 77 watt in each output for continuous use.**
- Route and secure wires so they will not be pinched or damaged.
- All wiring must be in accordance with NEC/CEC, low voltage Class 2 circuit. For wire runs inside of walls, use properly certified CL2 or better cabling and appropriate mounting hardware. If you are unclear as to how to install and wire this product, contact a qualified licensed electrician. Failure to install this device properly may result in electrical shock or fire. **Unused wires must be cap off to prevent accidental short circuit.**
- Do not install Class 2 low voltage wiring in the same run(s) as AC main power.

## Mounting

Select a suitable location capable of supporting the weight of the transformer. Use the four keyholes on the transformer case. Screw cover closed. Mount the unit at a height greater than 1 feet (30CM) from the ground.

## Input Connections / Grounding

- Remove the wiring compartment knockouts and install strain reliefs. With power turned off at the breaker, route the input wires. Connect one wire to black(L) and one wire to white(N) to the corresponding pigtail wire.
- For all wire connections use only UL/CSA listed wire nuts and connectors of suitable size and type.
- The Driver case **MUST** be grounded in accordance with the NEC/CEC. Connect the ground wire to the driver green wire.
- Use optional 3/8" (1/2" KO) cable connectors to secure wire.

## Output Connections (Low Voltage)

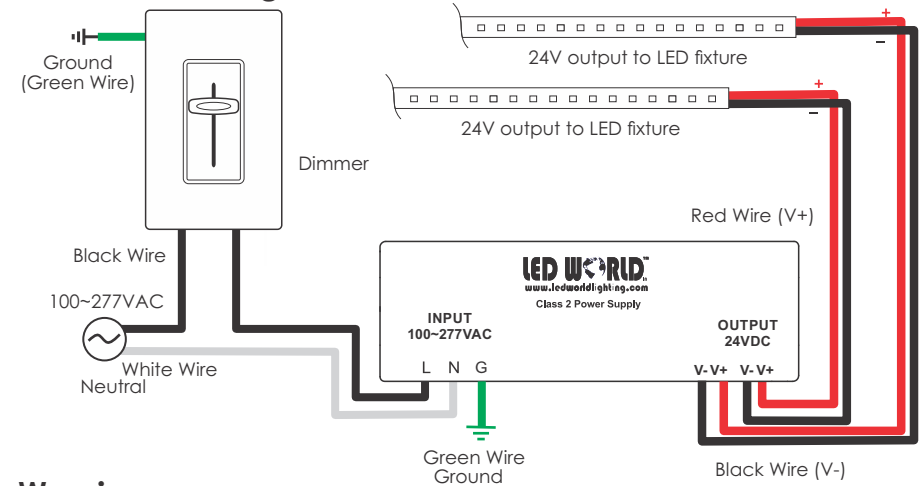
- Connect the wires of the light fixture to the driver wires - positive to the red(+) wire and negative to black(-) wire.
- Measure the output voltage for proper voltage to LED fixture.



## Dimming

- Phase dimmer is connected with a input of LED driver to get dimming. (Forward Phase, Magnetic Low Voltage and Triac dimmer). See website for compatible dimmer list.
- Input terminal (L/N) to be connected by wires as shown in diagram below.
- Output terminal (low voltage) is to be connected by wires to the LED lighting.
- A ground wire should be attached in the input side of the junction box to go ground.

## Connection Diagram



## Warning

- Prevent reverse polarity.
- The LED Driver is not to be repaired. Do not use if it is damaged or defective.
- Risk of Fire. Installation involves special wiring methods to run wiring through a building structure. Consult a qualified licensed electrician.
- Risk of Electric Shock. Mount the unit at a height greater than 1 feet (30CM) from the ground.

## Trouble Shooting

Do not exceed 77 watts of continuous load in each output! Note the wattage information on the item (strip label) that is being powered. If wattage or amperage information is not available or unknown, do not use. Power supply may be very warm if overloaded and will damage the unit (limited warranty void).

This device complies with FCC 47 CFR Part 15, Part B. Operation is subject to the following two conditions:  
 (1) May not cause harmful interference, 2) Must accept any interference received, including interference that may cause undesired operation.