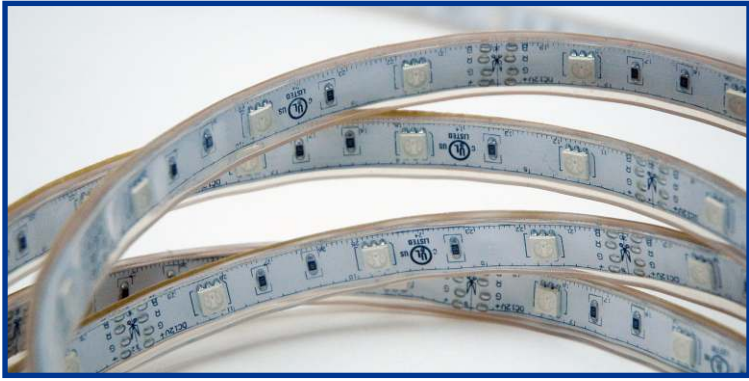


RGB LED FLEX STRIP

Model: FC30M50-5M-12V-RGB



MODEL

FC30M50-5M-12V-RGB

- COLOR (Red, Green, Blue)
- VOLTAGE (12V)
- LENGTH (5 Meters)
- LED SIZE (5050 SMD)
- LED/METER (30LED/Meter)
- COVER TYPE (Type C, silicon cover)
- A=IP22 B=IP62 C=IP62
- FLEX STRIP

12V
DC Power

2.2
WATTS
FOOT

**SUPER
BRIGHT
RGB**

use only with
Class 2 Type
power units

flexible

VIEW ANGLE

120°

**25,000+
HOURS**

**5050
SMD**

TRIMMABLE

**COLOR
CHANGING**



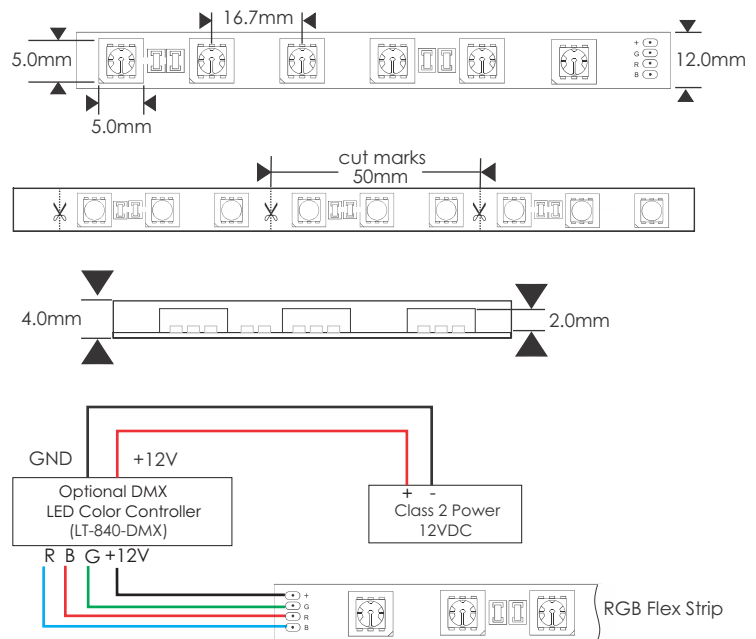
BENEFITS

- Color Changing RGB
- View Angle 120°
- Double sided 3M Tape backing
- Ultra bright surface - mount LEDs
- Low power consumption and little heat
- No RF interference
- Long life of LEDs
- Flexible RGB LED strip lights
- Solid-state lighting
- Continuous length
- Can be cut to size at marked intervals (Qualified personnel)
- Type C IP62 Silicon Cover

APPLICATIONS

- Store Fixture shelving
- Architectural accenting
- Backlighting of glass and acrylic
- Corporate showrooms and exhibition displays

DIAGRAM



SPECIFICATIONS

Roll Size	5 Meters (16.4 Feet)
Max Voltage	12 VDC (regulated/Class 2)
Watt Foot	2.2 (1.8 Amps/roll)
Light Source	150 pcs 5050 SMD RGB LEDs (5 meters roll)
Dimensions	5000(L) x 12(W) x 4(H)mm (16.4' x 0.472" x 0.15")
Max Length	5 Meters (16.4 Feet)
View Angle	120°
Max Current	180mA/foot
Bend Radius	4 inches (100mm) Max, one flat plane
Lamp Life	>25,000 hours (average life)
IP Rating	IP62 Type C
Mount	Smooth Surface/burrows free
Operating Temperature	-25°C ~ +40°C

OPTIONAL ACCESSORIES

XLD75B-112V-FC (12VDC) One Channel Output-Class 2	H-DMX2108A-5M-3 DMX color controller	HUEDA™

Check out website product page for more color controllers, power supply and accessories options

