

LED PUCK LIGHT INSTRUCTIONS

Model : 20879-X and 20881-X (X = COLOR W:Pure White / WW:Warm White)

IMPORTANT INSTRUCTIONS

12V
DC Power

3.5
WATTS



Never Nail or use Staples



Never apply weights or walk on product



Only power with 12VDC Regulated Class 2 Driver



Apply to surface at room temperature. Keep away from flammable materials. Surface temperature MAX 40°C (104°F). Don't install under, above or near heat sources (i.e. stoves, fireplaces) etc.

SAFETY & WARNINGS

Please read instructions before using product and **SAVE THESE INSTRUCTIONS**. Before using this product make sure you have right color, product (item number) and voltage (printed on product). Check for possibility of damage during shipping. If damaged, or wrong product, do not use. Disconnect power before installing or using.

Use only with LED World's 12VDC 45W MD45W12VA dimmable regulated Class 2 power supply. Using with any other type of power supply will void the limited warranty.

Use only with Regulated Class 2 Type power supply.

Do not attach LED Puck Light to Battery. Not for use in Automobile.

Indoor use, Dry locations. Do not expose LED Puck Light to moisture.

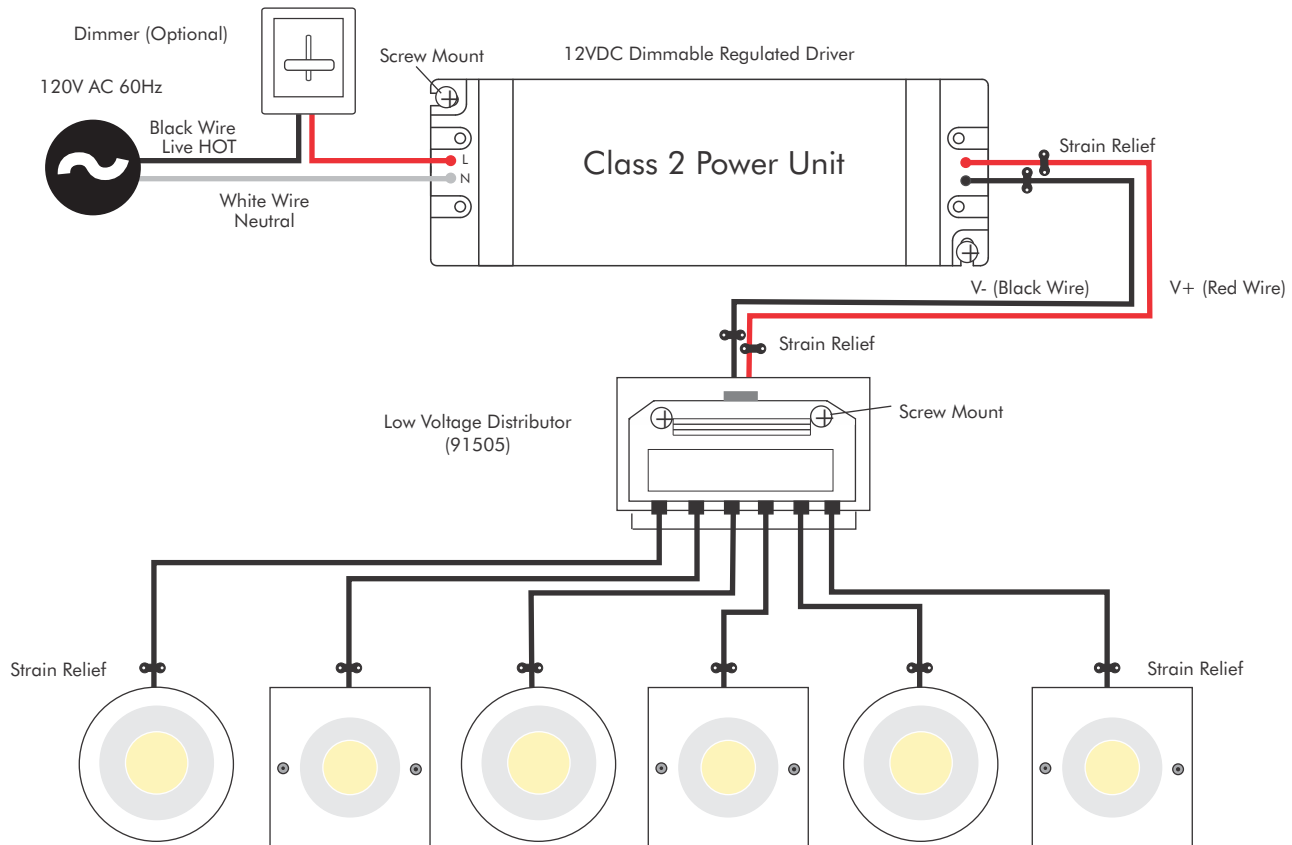
Disconnect power before installing or servicing (at breaker point).

This product is intended to be installed and serviced by a qualified licensed electrician. Install in accordance with the National Electric Code, and local regulations. Only power with LED World's 12VDC 45W MD45W12VA dimmable regulated Class 2 power supply.

For Under Cabinet lighting and Under Counter Top Lighting

WIRING DIAGRAM

Method 1 : Hardwired

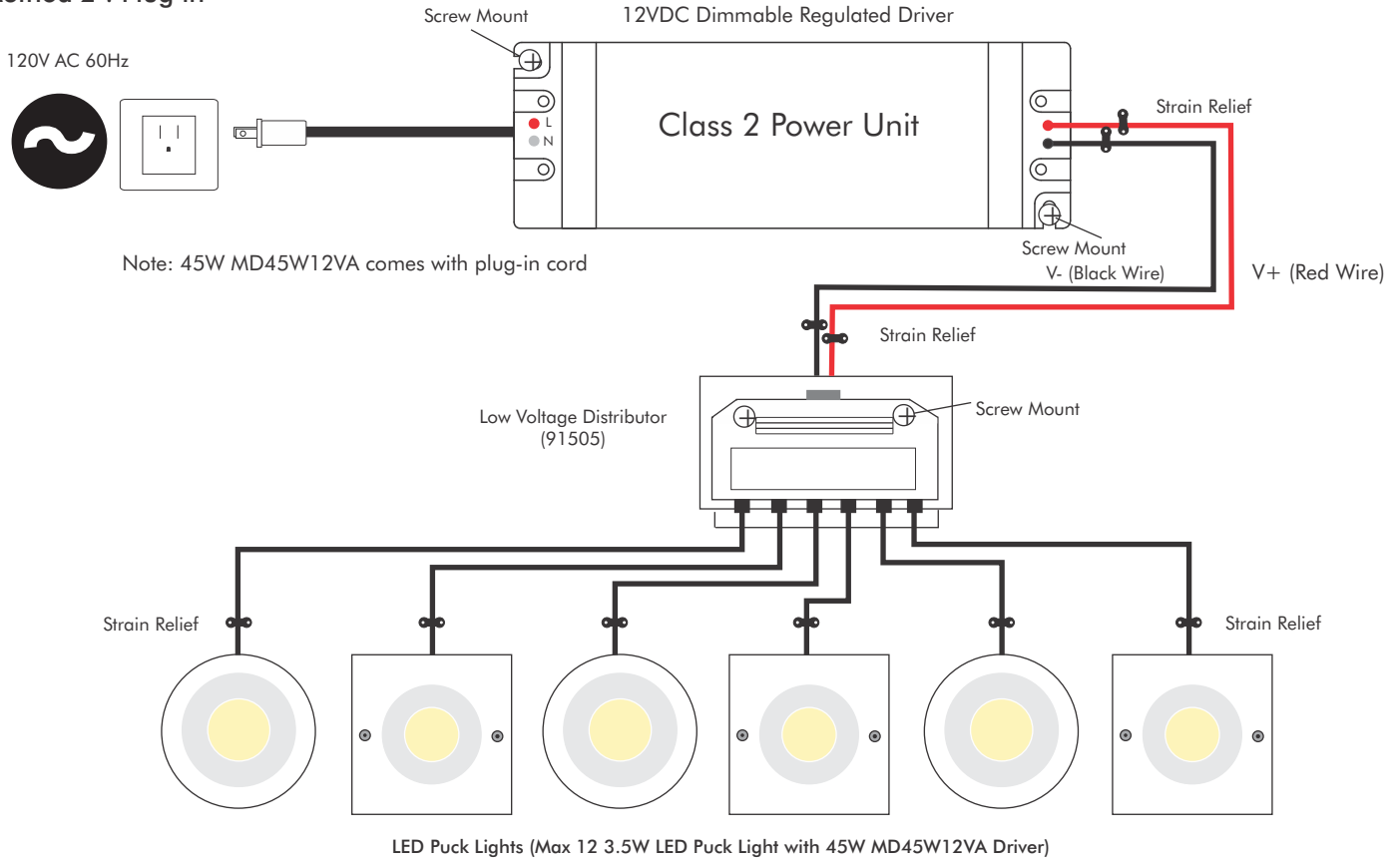


LED Puck Lights (Max 12 3.5W LED Puck Light with 45W MD45W12VA Driver)

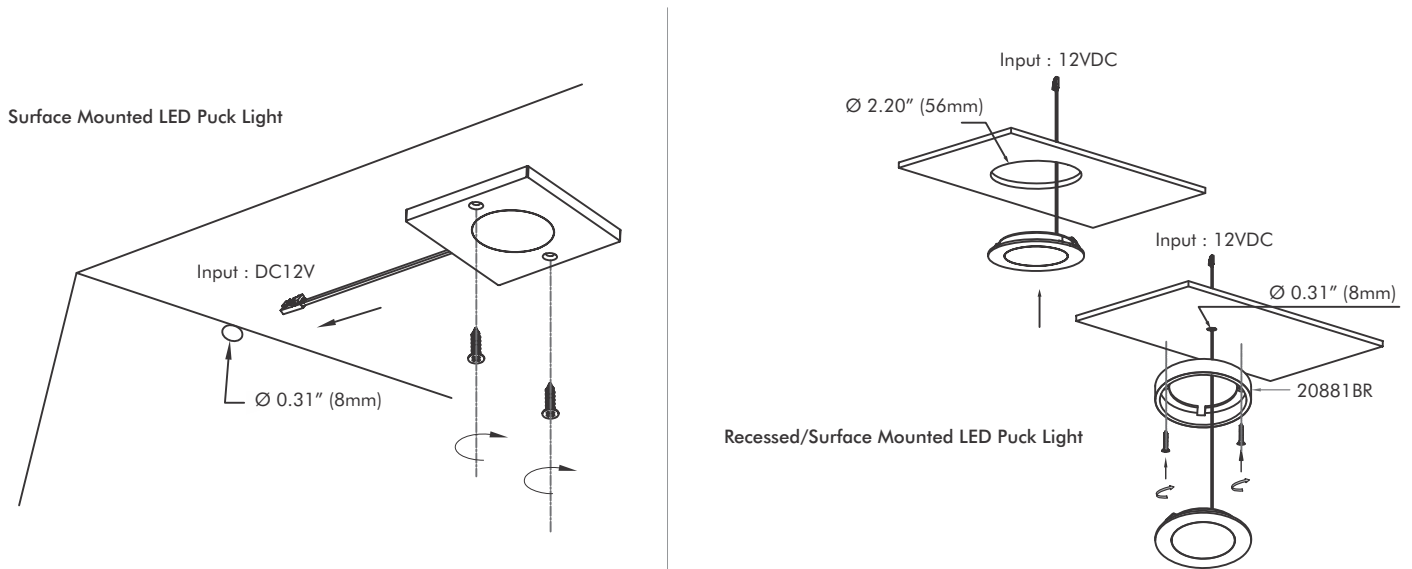
LED PUCK LIGHT INSTRUCTIONS

Model : 20879-X and 20881-X (X = COLOR W:Pure White / WW:Warm White)

Method 2 : Plug in



INSTALLATION DIAGRAM



THREE YEAR LIMITED LIGHTING WARRANTY

LED WORLD INC. warrants this product for three year (some exceptions may apply) from the date of shipping unless otherwise noted in writing. This warranty is expressly in lieu of all other warranties expressed or implied. Under this Limited Warranty, the obligation of the company is limited to replacing on a prorated basis, at its option, any component found to be defective. This Limited Warranty does not apply to damage caused by buyer or alteration to the product or incorrect power supply. Factory warranties are covered by the original manufacturer and claims must be submitted to them.

LED World Inc. And its providers will never be liable to you or any other person for any indirect, incidental, consequential, special, punitive or exemplary loss or damage arising from, connected with, the purchase of products, including but not limited to loss of data, business, markets, cost of labour, savings, income, profits, use, production, reputation or goodwill, anticipated or otherwise, or economic loss, under any theory of liability (whether in contract, tort, strict liability or any other theory or law or equity), regardless of any negligence or other fault or wrongdoing (including without limitation gross negligence and fundamental breach) by led world inc. Or any person for whom led world inc. Is responsible, and even if led world inc. Has been advised of the possibility of such loss or damage being incurred.

If a product is defective, we will replace the product with similar or identical product or at our option a credit towards a future purchase. To make a claim under this warranty, obtain a return authorization number.