

LED PUCK LIGHT RECESSED/SURFACE MOUNT

Model: QS-RD-COB3W-3000K-12V



No Light Spotting

12V
DC Power

3.0
WATTS

80>
CRI

DIMMABLE



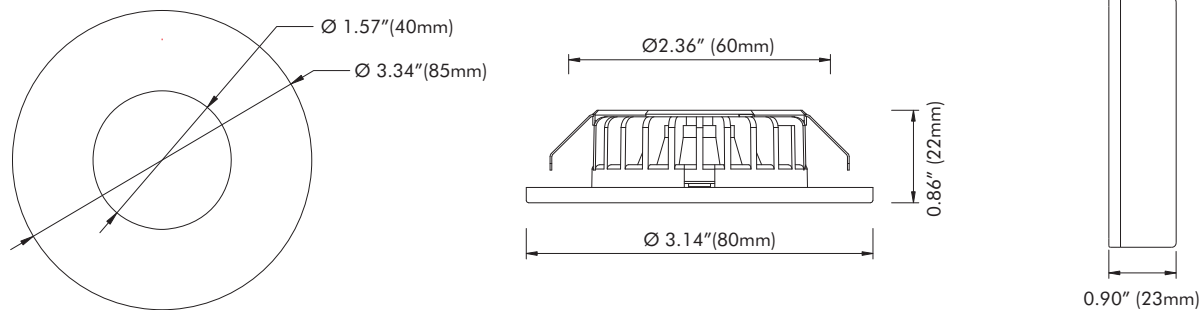
FEATURES & BENEFITS

- Surface / Recessed Mounted
- Changeable trim ring with magnet
- White or satin nickle finish
- Uniform luminance even lighting
- No glare
- Dimmable
- 80° beam angle
- CRI 80 or better
- 3 Year Limited Warranty
- 50,000+ hr lifetime

APPLICATIONS

- Cabinet Lighting
- Closet lighting
- Display case
- Jewelry store

DIAGRAM



CHANGEABLE TRIM RING



Magnets to attract and hold the trim ring



Grey Satin Nickel Black White

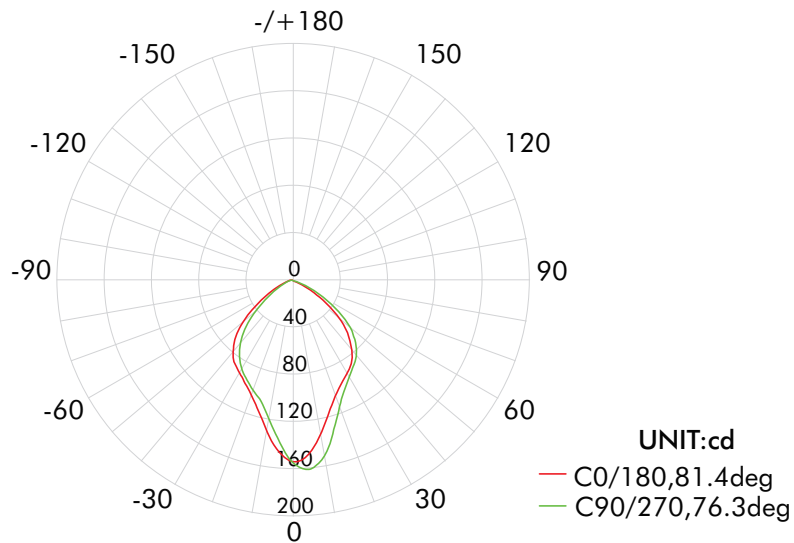
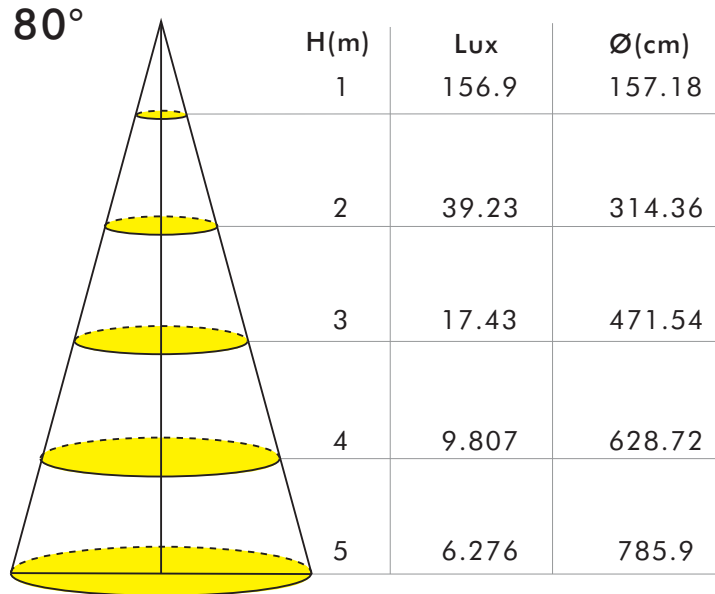
SPECIFICATIONS

Voltage	12 VDC
Watts	3 Watts
Lumens	80 Lumens/W
Color Temperature	3000K
Light Source	3W SMD LED
Size	$\text{Ø } 85 \times \text{H } 22 \text{ mm } (3.34'' \times 0.86'')$
CRI	>80
Beam Angle	80°
Trim Color	White/Satin Nickle/Black/Grey
IP Grade	IP44
Environment Temp	Max 45°C (113°F) Indoor Use
Lifespan	50,000 hrs
Certifications	ETL, RoHS
Limited warranty	3 years

LED PUCK LIGHT RECESSED/SURFACE MOUNT

Model: QS-RD-COB3W-3000K-12V

PHOTOMETRICS



AVERAGE BEAM ANGLE (50%):78.9 DEG

OPTIONAL ACCESSORIES

MD-012-060VTH Regulated Dimmable Class 2	MD-012-024VT Regulated Dimmable Class 2	SURFACE MOUNT Available in Black, White, Grey, Satin Nickel