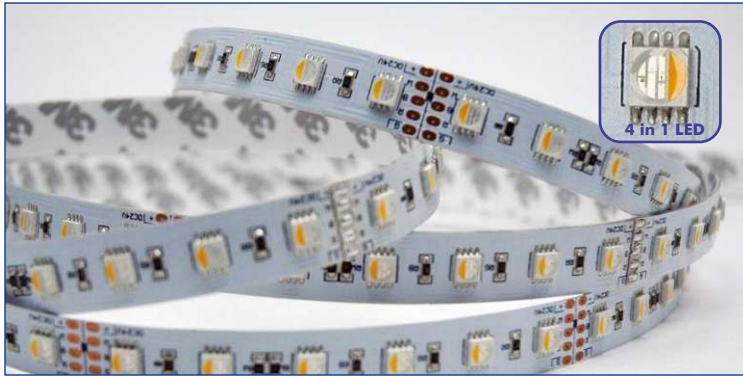


RGBW LED FLEX STRIP

Model: FA60M50-XM-24V-RGBW (X=length : 2m (6.56ft), 5m (16.4ft))



FEATURES

- Soft FPC material, excellent flexibility
- Can be cut at marked intervals (Every 6 LEDs)
- 4 in 1 5050 SMD LEDs (Red, Green, Blue and White)

APPLICATIONS

- Store Fixture shelving
- Architectural accenting
- Backlighting of glass and acrylic
- Corporate showrooms and exhibition displays
- Optional aluminum mounting channel

SPECIFICATIONS

Roll Size	2 Meters (6.56 Feet), 5 Meters (16.4 Feet)
Max Voltage	24 VDC (regulated/Class 2)
Watt Foot	6W (4 Amps-5m roll, 1.64 Amps-2m roll)
Light Source	60 pcs/Meter (39.37") 5050 SMD LED
Dimensions	12(W) x 2.5(H)mm (0.47" x 3/32")
Color Temperature	White (2700~3000K±100K)
Max Length	2 Meters (6.56 Feet), 5 Meters (16.4 Feet)
View Angle	120°
Max Current	250mA/foot
Bend Radius	4 inches (100mm) Max, one flat plane
Lamp Life	>25,000 hours (average life)
IP Rating	IP20 Type A
Mount	Surface: burrows free - metal surface/Aluminium Profiles
Operating Temperature	-25°C ~ +40°C (-13°F ~ 104°F)

OPTIONAL CONTROLLERS

FUT089 RGBW Remote	HUEDA™	HUEDA™ HUB

OPTIONAL CLASS 2 POWER SUPPLIES

XLD200B-224V-FC (24VDC) One Channel Output-Class 2	CVN96L24DC Constant Voltage Driver

MODEL : FA60M50-XM-24V-RGBW

24V
DC Power

6
WATTS
FOOT

SUPER BRIGHT
RGBW

UL LISTED
use only with Class 2 Type power units

flexible

VIEW ANGLE
120°

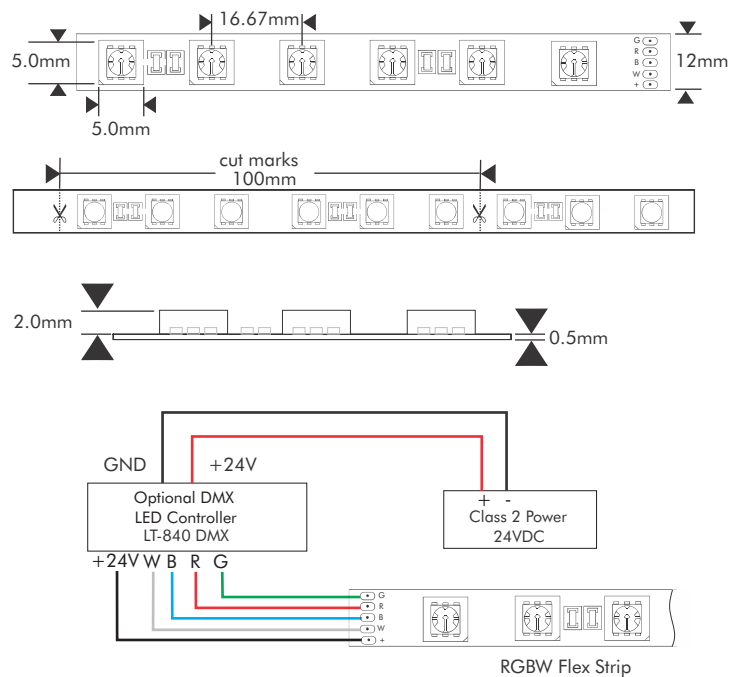
25,000+ HOURS

TRIMMABLE

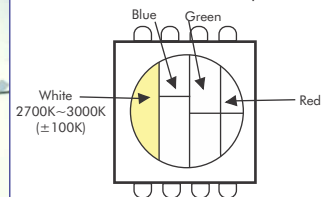
COLOR CHANGING
4 in 1 LED

STATIC ELECTRICITY CAN DAMAGE PRODUCT

DIAGRAM



New RGBW - 4 Color Chips in 1 LED



Common RGBW used Now

