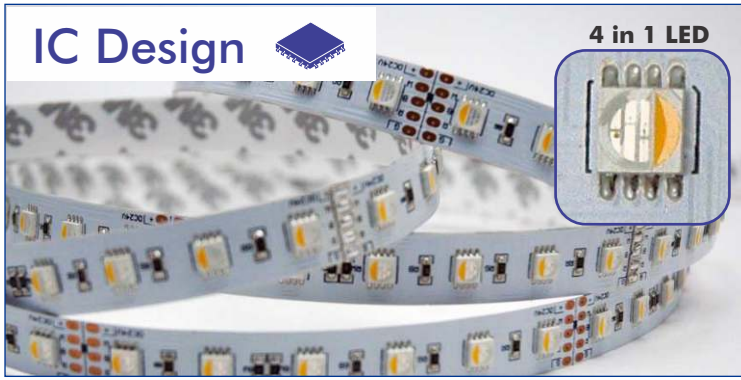
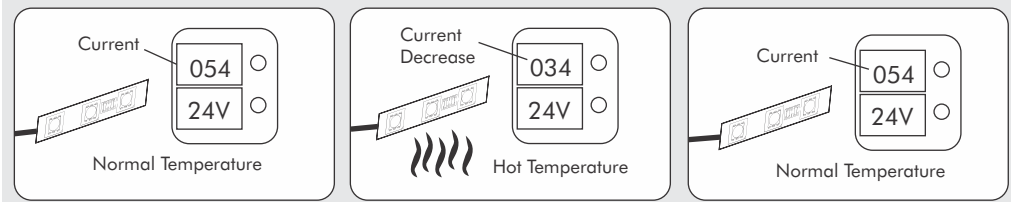


IC RGBW LED FLEX STRIP

Model: FA60M50-XM-24V-RGBW(IC) (X=length: 2m (6.56ft), 5m (16.4ft))



- 24V DC Power**
- 5.6 WATTS FOOT**
- SUPER BRIGHT RGBW**
- UL LISTED** use only with Class 2 Type power units
- flexible**
- VIEW ANGLE 120°**
- 25,000+ HOURS**
- TRIMMABLE**
- IC DRIVEN**
- STATIC ELECTRICITY CAN DAMAGE PRODUCT**



With IC design, when the temperature of the strips gets higher, the current will decrease to protect the LEDs for a long life span.



FEATURES

- With Constant Current IC for each sections, there is no need of constant current driver. Works with Standard Class 2 24VDC constant voltage power supply. The IC will convert 24VDC to CC for LEDs.
- Soft FPC material, excellent flexibility
- Can be cut at marked intervals (Every 6 LEDs)
- 4 in 1 5050 SMD LEDs (Red, Green, Blue and White)

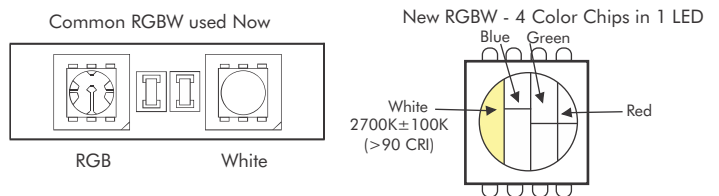
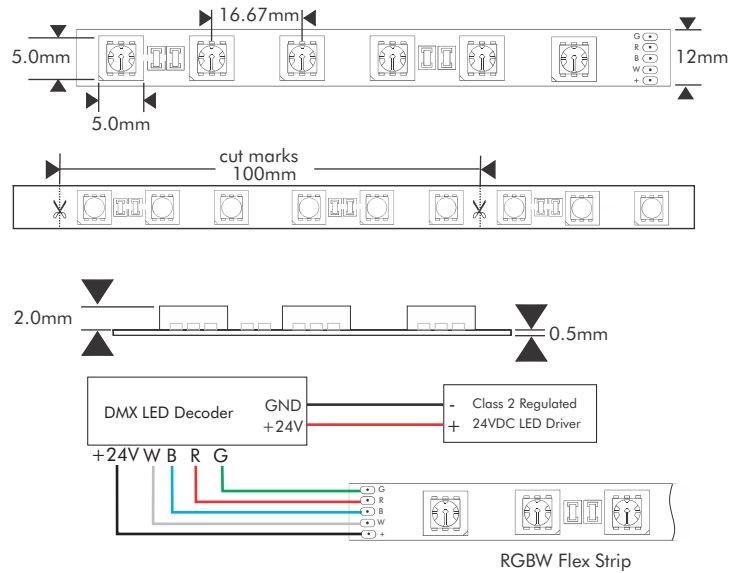
APPLICATIONS

- Store Fixture shelving
- Architectural accenting
- Backlighting of glass and acrylic
- Corporate showrooms and exhibition displays

SPECIFICATIONS

Roll Size	2 Meters (6.56 Feet), 5 Meters (16.4 Feet)
Max Voltage	24 VDC (regulated/Class 2)
Watt Foot	5.6 (3.8 Amps-5m roll, 1.5 Amps-2m roll)
Light Source	60 pcs/Meter (39.37") 5050 SMD LED
Dimensions	12(W) x 2.5(H)mm (0.47" x 3/32")
Color Temperature	White (2700±100K)
Max Length	2 Meters (6.56 Feet), 5 Meters (16.4 Feet)
View Angle	120°
Max Current	250mA/foot
Bend Radius	4 inches (100mm) Max, one flat plane
Lamp Life	>25,000 hours (average life)
IP Rating	IP20 Type A
Mount	Surface: burrows free - metal surface/Aluminium Profiles
Operating Temperature	-25°C ~ +40°C (-13°F ~ 104°F)

DIAGRAM



OPTIONAL CONTROLLERS

H-DMX2108A-5M-3	HUEDA™	HUEDA™ HUB

XLD200B-224V-FC (24VDC) One Channel Output-Class 2	CVN96L24DC Constant Voltage Driver