

50W Constant Voltage LED Driver

Model: CVD50L12DC (0-10V Dimmable) / CVN50L12DC (Non Dimmable)

Constant Voltage Class 2 LED Drivers offers UL Listed enclosure. It has a built-in junction box on both the input and output.

These drivers are IP65 rated and are suitable for both indoor and outdoor installations. With universal input voltage ranging from 120 to 277VAC, the drivers are designed for commercial, industrial and residential applications.

Our optional (CVD50L12DC model) 0-10V dimming delivers smooth flicker-free linear dimming down to 1% with most LED's and a wide variety of compatible dimmers.



CVX50L12DC

D : 0-10V Dimmable
N : Non Dimmable



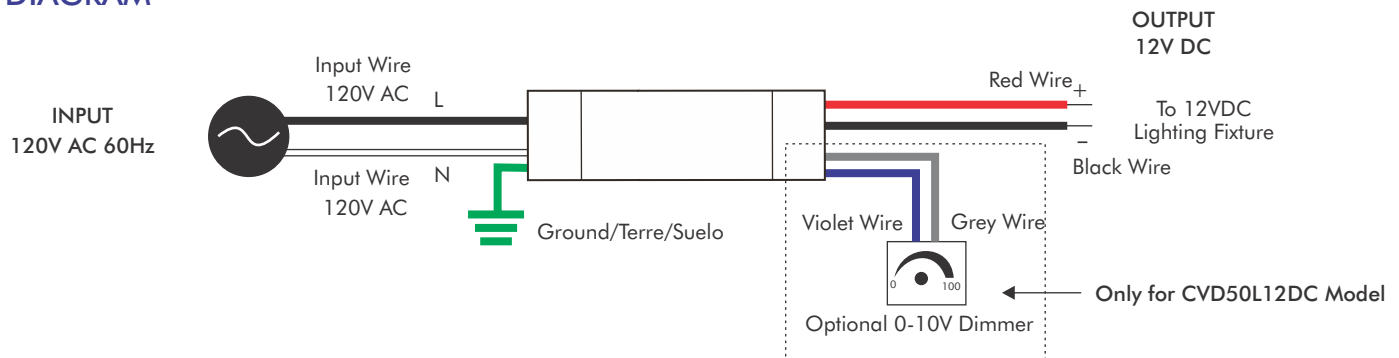
FEATURES

- UL listed enclosure - with built-in junction box
- Universal Input voltage
- 0-10V Dimmable- Flicker free down to 1% (CVD50L12DC model only)
- Ripple free
- IP65 rated for use in indoor/outdoor applications
- UL 8750 approved
- Class 2
- Auto-Reset protection for short circuit and over temperature
- Over load protection - CC Mode

SPECIFICATIONS

Input		Output	
Input Voltage Range	120 - 277VAC \pm 10%	Output Voltage	12VDC
Input Frequency	50 / 60Hz	Output Current	4200mA Max
Input current	0.96A Max	Output Ripple	>3%
Inrush Current	6A Max @ 120V / 23.7A Max @ 277V	Line Regulation	>2%
Efficiency	>80% Max	Load Regulation	>5%
Power Factor	> 0.95	Turn On Delay Time	>0.3 Sec
THD	< 20%	Dimming (CVD50L12DC Model only)	
Environmental		Dimming Control	0-10V
Env. Protection Rating	IP65	Min. Dimming level	1%
Operating Ambient temperature	-25°C - +40°C	Dimming Curves	Linear
Max Case Temp. (Tcase)	65°C for a 5 year warranty	Current Consumption	0.35mA/Source
Storage temperature	-40°C - +85°C	Protections	
Expected life time	50K Hours (> 65°C) Tc	Over Current Protection, Over Voltage Protection	Yes; Hiccup mode
Audible Noise	> 24db Class A	Over Temperature Protection	Yes; Hiccup mode
		Over Load Protection	Yes; CC mode
		Short Circuit Protection	Yes; Hiccup mode

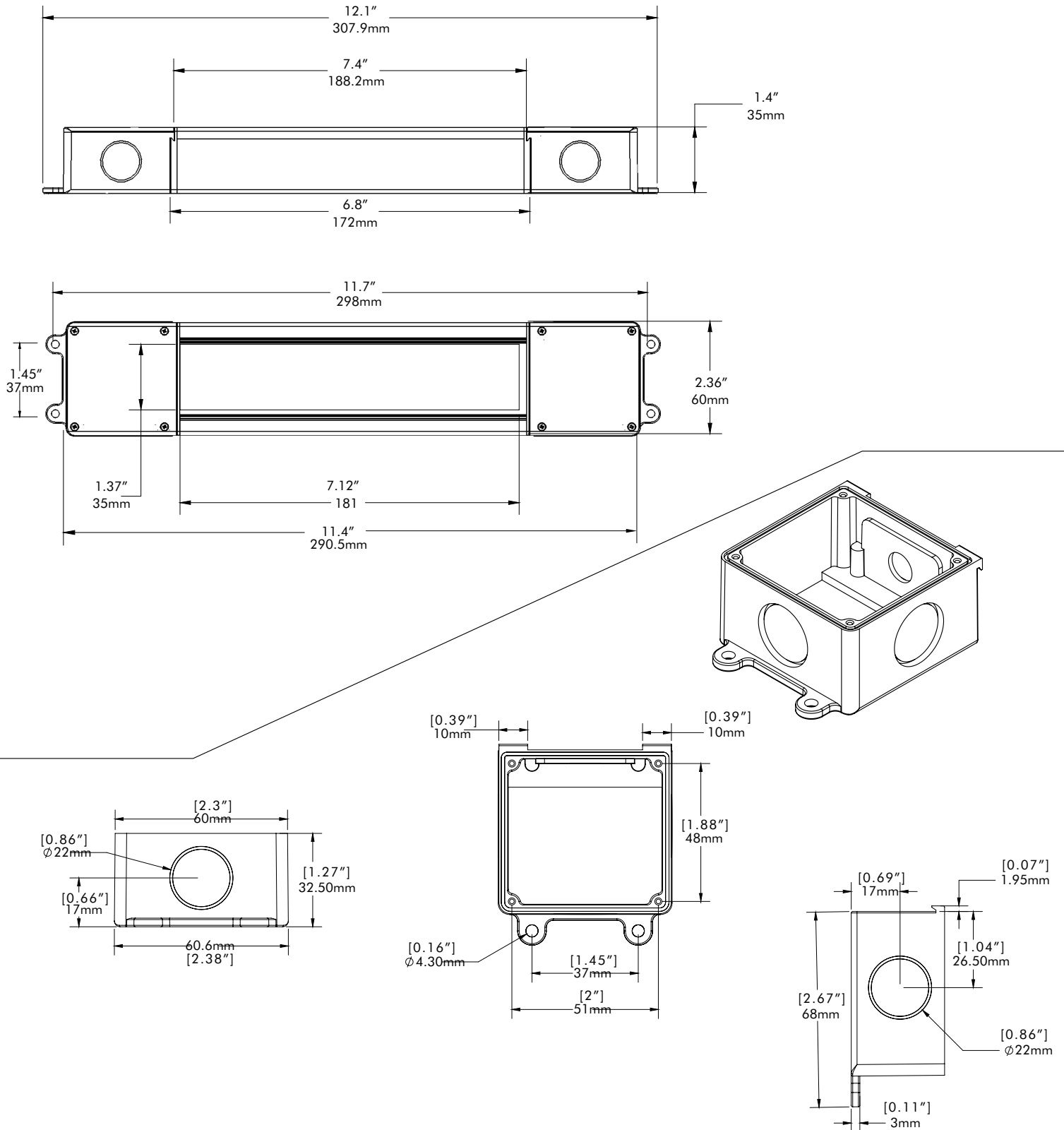
WIRING DIAGRAM



50W Constant Voltage LED Driver

Model: CVD50L12DC (0-10V Dimmable) / CVN50L12DC (Non Dimmable)

PRODUCT DIMENSIONS



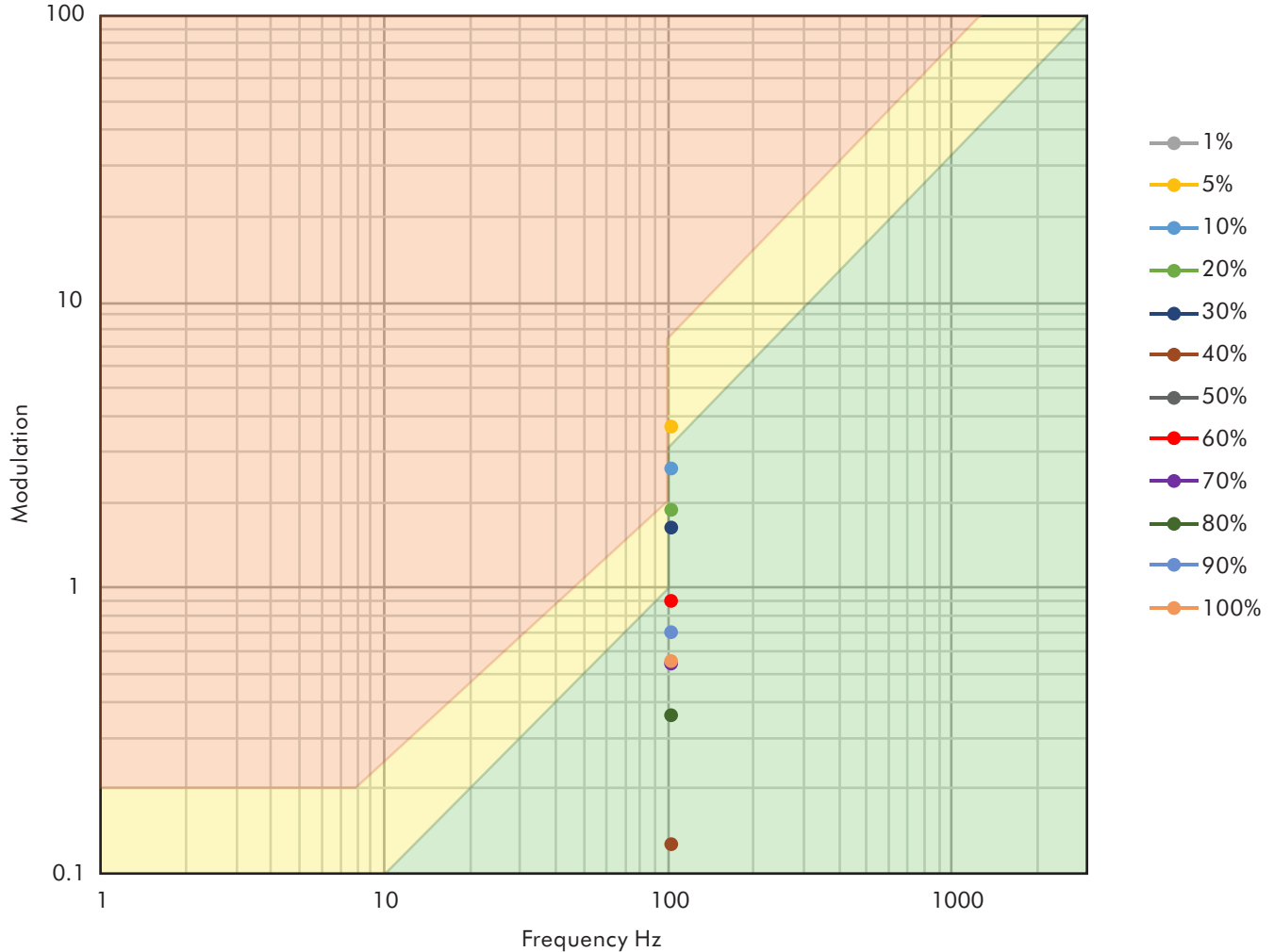
50W Constant Voltage LED Driver

Model: CVD50L12DC (0-10V Dimmable) / CVN50L12DC (Non Dimmable)

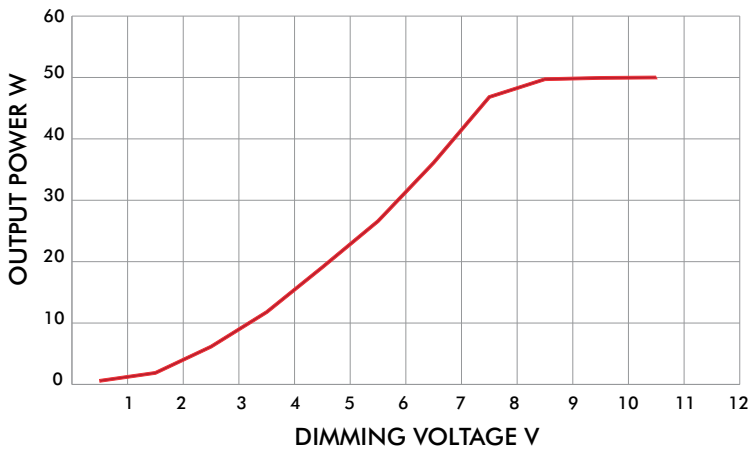
FLICKER PERFORMANCE

The IEEE P1789 flicker test results are presented with no observable effect (in green) low-risk (in yellow) and high risk (in red).

Tested with: Acclaim Lighting, Model: FLX592, 96W MAX & 24V Output



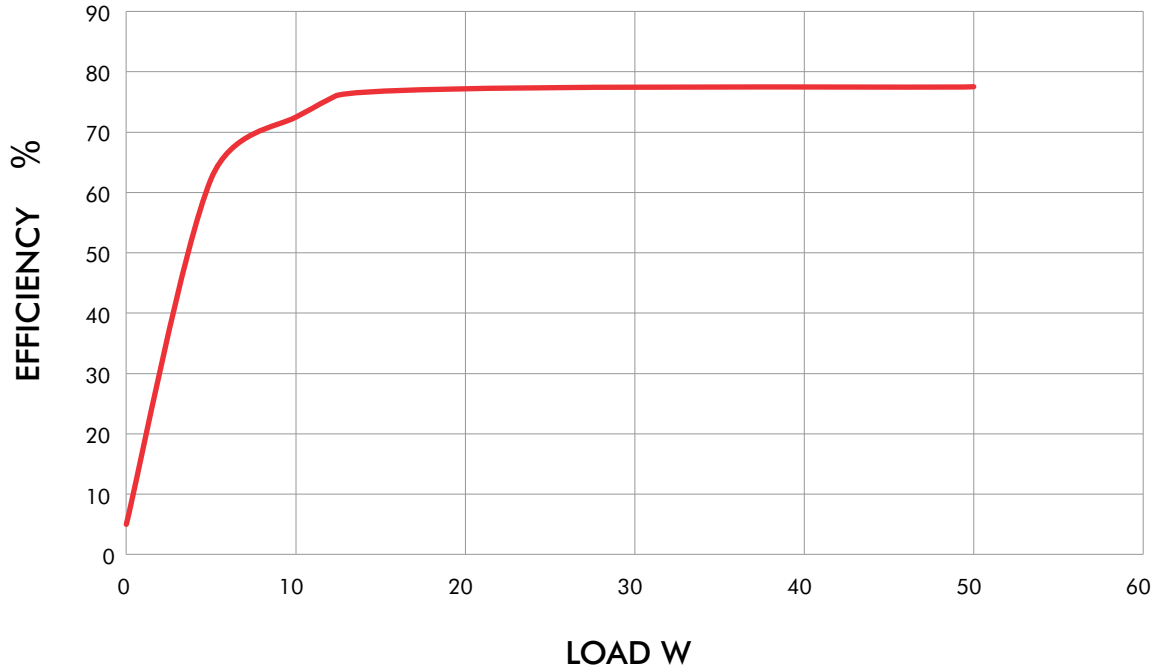
DIMMING CURVE



COMPATIBLE 0-10V DIMMER LIST

Dimming	Part Number
Lutron	Diva - DTV
Lutron	Diva - NFTV
Lutron	Nova T - NTFTV
Leviton	illumatech - IP7
Watt Stopper	DCLV1
Lightolier Controls	ZP600FAM120
Phillips	Sunrise - SR1200ZTUNV

120VAC INPUT EFFICIENCY VS. LOAD



277VAC INPUT EFFICIENCY VS. LOAD

