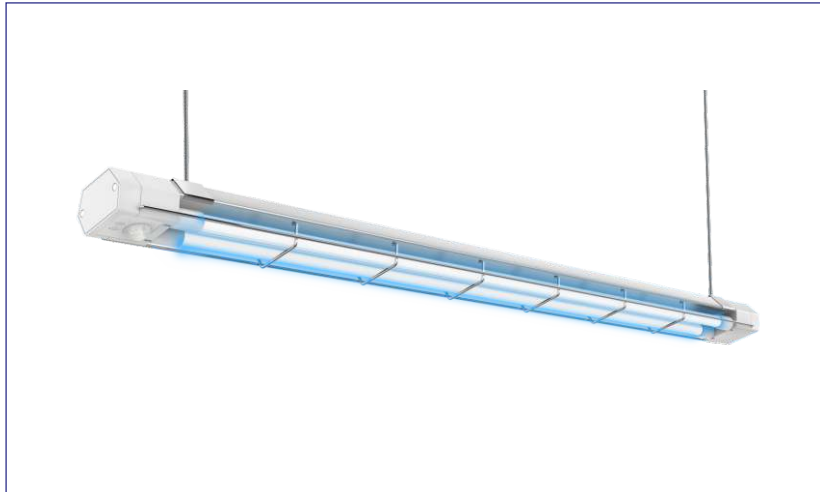


# 80W UVC Tube Light

Model: U12-80W-02



## FEATURES



Quartz tube



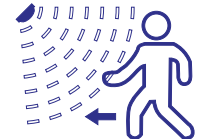
IR remote control



20s delay start-up



Ozone-free UV



Microwave and PIR Sensor built-in



Effectively kills viruses



Effectively kills parasites



UV Irradiation

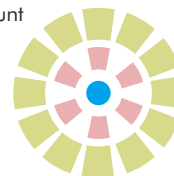
## SPECIFICATIONS

Hold Time	30min	60min	90min	120min
Usable Area	40m <sup>2</sup>	50m <sup>2</sup>	55m <sup>2</sup>	60m <sup>2</sup>

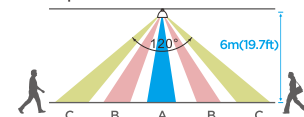
Power	80W
Voltage	230V (210~250V) 50-60Hz
Wave Length	254nm
Lamp Base	G5
Hold Time	30/60/90/120 min
Lamp Size (inch)	L 51.7" x W 2.63" X H 2.12"
Lamp Size (mm)	L 1313mm x W 67mm x H 54mm
Color	Matt Silver
Lamp Life	>9,000 hours
Weight	1.13kg (2.49lbs)
Operating Temperature	-25°C ~ +40°C

### Microwave sensor built-in

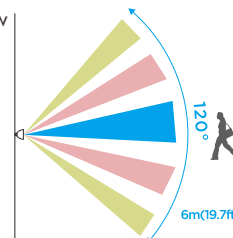
Ceiling Mount Top View



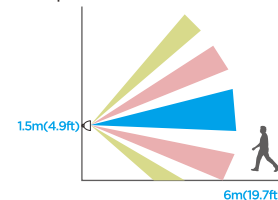
Top View



Wall Mount Top View



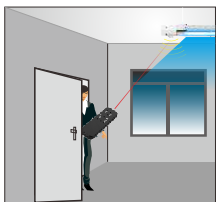
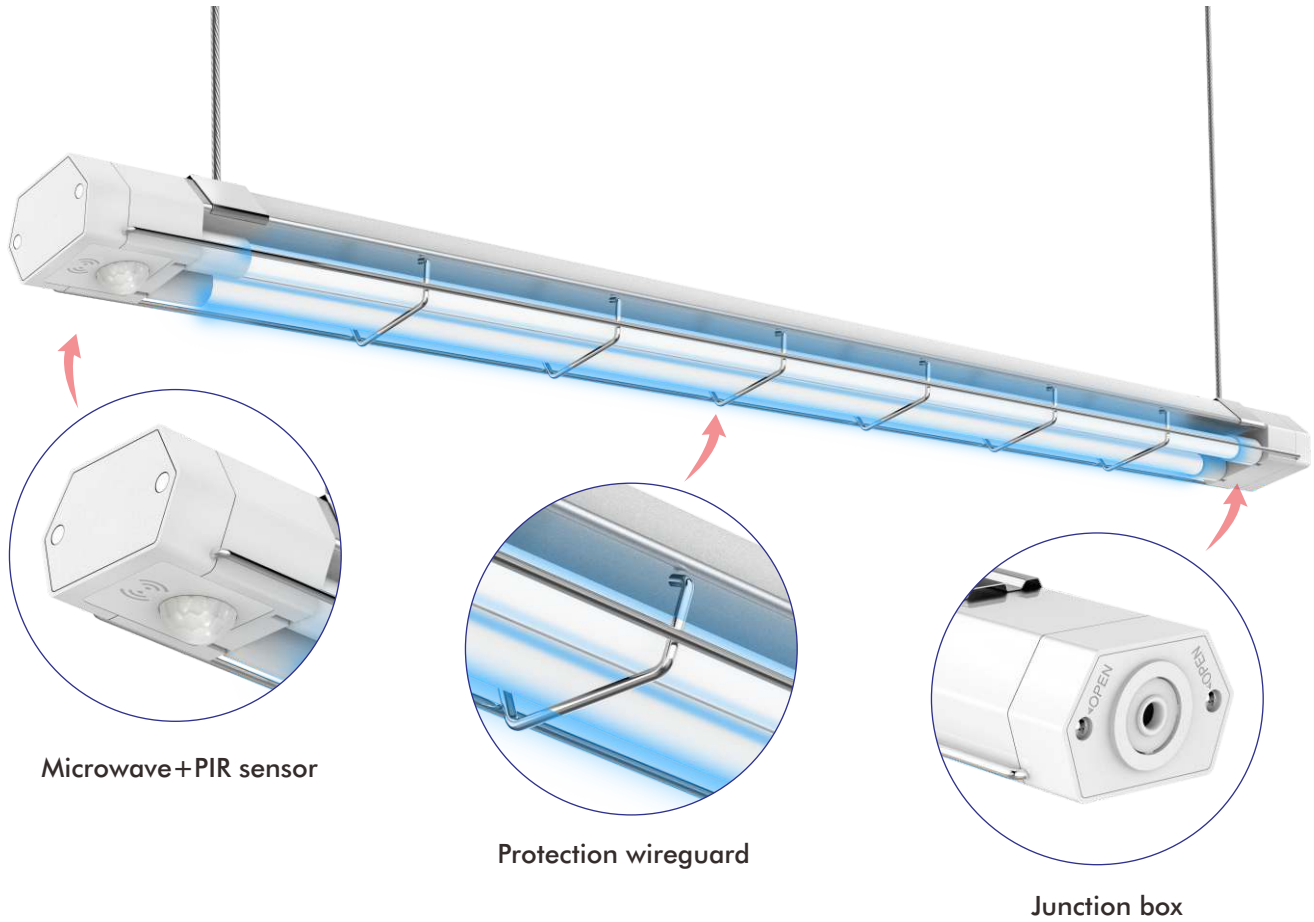
Top View



# 80W UVC Tube Light

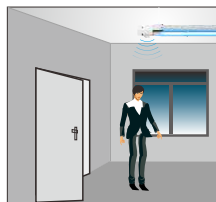
Model: U12-80W-02

## Microwave and PIR Sensor built-in



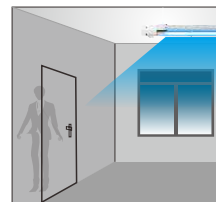
1

IR remote, lets you operate from a distance ensuring UVC light does not contact human skin



2

Built-in microwave+PIR. Deactivates light automatically upon human entry



3

UVC lamp will turn on automatically upon human body not detected in the sensor area

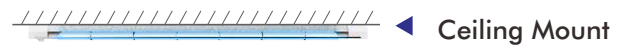
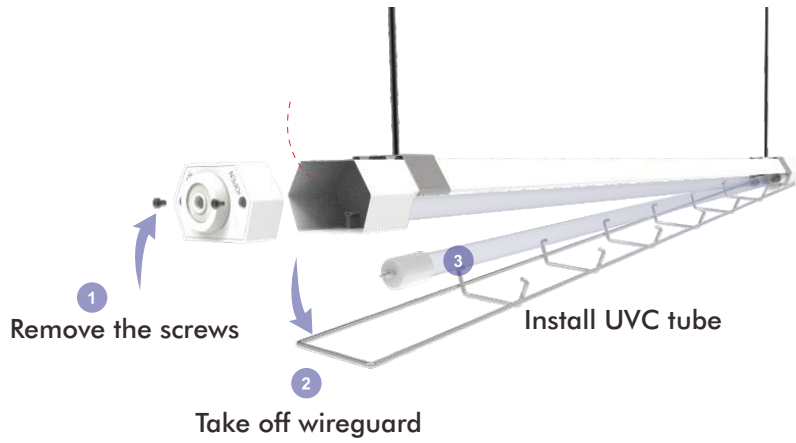
## DIMENSION



# 80W UVC Tube Light

Model: U12-80W-02

## INSTALLATION



## APPLICATIONS

