

30W 12V Class 2 Triac Dimmable Driver

Model : MD-012-030VTH

LED WORLD
ledworldlighting.com | ledworld.ca
1-800-387-4081



FEATURES

- Constant Voltage Output
- Universal AC input: 100~277VAC
- Power Factor > 0.98
- High efficiency > 82%
- Protection : Short circuit / Over Voltage / Over temperature
- IP20 design suitable for use in indoor applications
- Easy installation
- Free Air convection cooling
- Compatible with leading edge and trailing edge Triac Dimmers
- Flicker-free PWM dimming
- Full protection aluminum housing
- cULus listed
- Suitable for LED lighting and sign lighting applications
- 5 knockouts for easy wiring



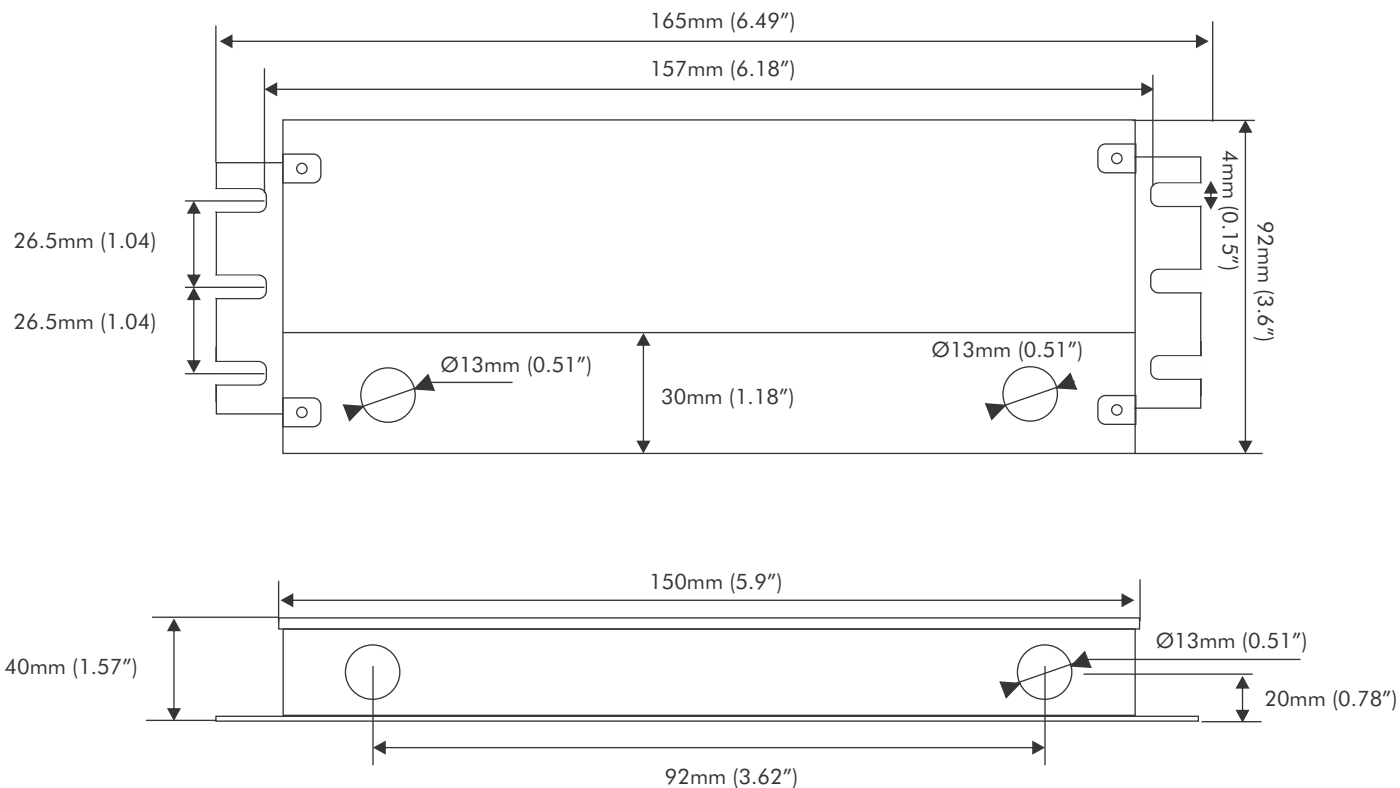
SPECIFICATIONS

| | | |
|-------------|------------------------|---|
| Output | DC Voltage | 12V |
| | Voltage Accuracy | ±5% |
| | Rated Current | 2.5A |
| | Rated Power | 30W |
| | Voltage Regulation | ±0.5% |
| Input | Voltage Range | 100~277VAC |
| | Frequency Range | 47~63Hz |
| | Power Factor (Typ.) | 0.99 @ 110VAC, 0.97 @ 277VAC |
| | Efficiency (Typ.) | > 82% |
| | AC Current (Typ.) | 0.33A @ 110VAC, 0.13A @ 277VAC |
| | Leakage Current | < 0.27mA @ 110VAC, <0.25mA @ 277VAC |
| Protection | Short Circuit | Hiccup mode, recovers automatically after short circuit |
| | Over Voltage | ≤ 140VAC (90~135V), ≤ 285VAC (170~277V) |
| | Over Temperature | 100°C±10°C shutdown o/p voltage, automatically recovers after cooling |
| | Over Loading | ≤ 120% Hiccup mode, recovers automatically after loading situation |
| Environment | Working Temp. | -40°C ~ 60°C (-40°F ~ 140°F) |
| | Working Humidity | 20~90 % RH, non-condensing |
| | Storage Temp. Humidity | -40°C ~ 80°C, 10~95 % RH |
| | Temp. Coefficient | ±0.03% / °C (0°~50°C) |
| | Vibration | 10~500Hz, 2G 10min/1 cycle, period for 60min each along X, Y, Z axes |
| Safety&EMC | Safety standards | UL8750 + UL1310 CAN/CSA-C22.2 NO.250.13 |
| | Withstand voltage | I/P-O/P:3.75KVAC |
| | Isolation Resistance | I/P-O/P: 100MΩ/500VDC/25°C/70%RH |
| | EMC EMISSION | FCC Part 15 B |
| | EMC IMMUNITY | Compliance to EN61000-4-2, 3,4,5,6,11 A light industry level (surge4KV) |
| Other | Net. Weight | 0.95Kg (2.1lbs) |
| | Size | 165L x 92W x 40H mm (6.49" x 3.62" x 1.57") |

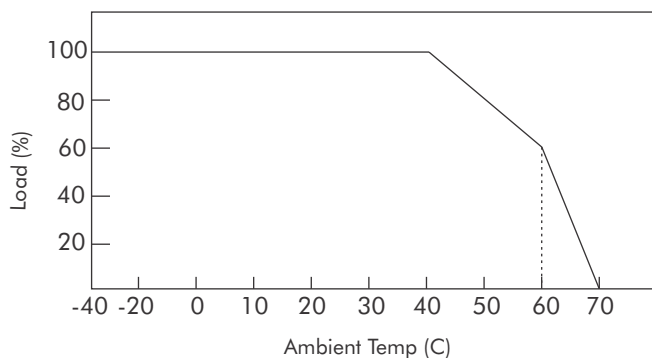
30W 12V Class 2 Triac Dimmable Driver

Model : MD-012-030VTH

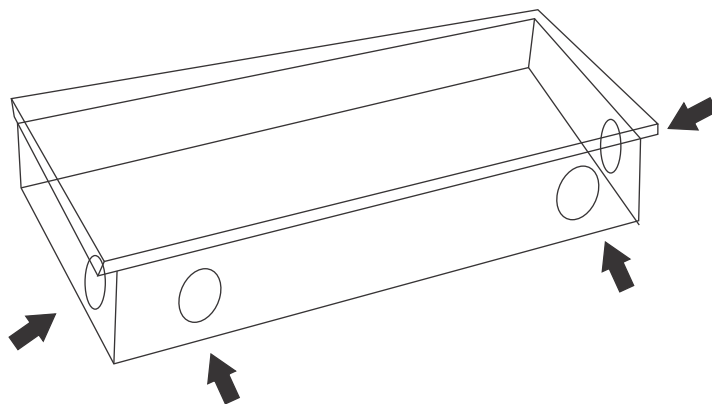
PRODUCT DIMENSION



DERATING CURVE



KNOCKOUTS



DIMMING OPERATION

- The Pulse-Width Modulation (PWM) of output voltage can be adjusted through input terminal of the AC phase line(L) by connecting a triac dimmer
- Match with leading edge Triac Dimmer (Can customized as a driver only matching trailing edge Triac Dimmers if needed)
- Use dimmers with power at least 2.5 times as the output power of the driver
- For forward phase, magnetic low voltage and Triac dimmers

WARNING

- Check polarity
- Risk of Electric Shock. Indoor use only. Suitable for dry and damp locations.
- Risk of Fire. Installation involves special wiring methods to run wiring through a building structure. Consult a qualified electrician.
- Risk of Electric Shock. Mount the unit at a height more than 1 ft (30cm) from the ground