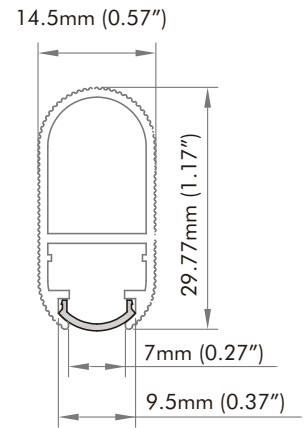




CHANNEL DIMENSION



INCLUDED ITEMS



Closet Aluminum Profile
(2m/6.56ft)



PC Cover



End Cap pair

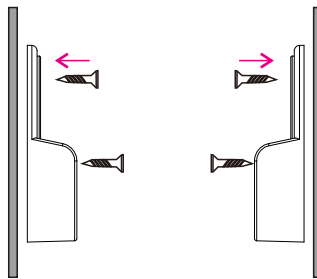


Hanging Bracket



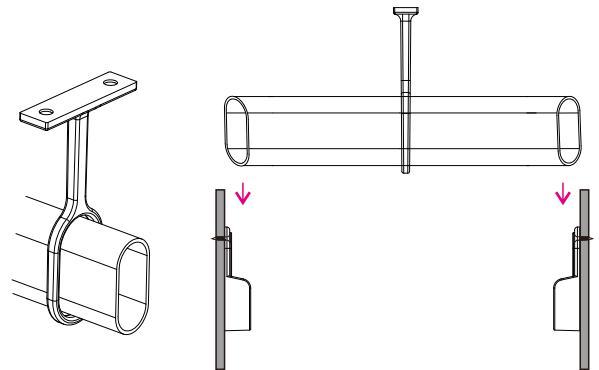
INSTALLATION STEPS

Step 1



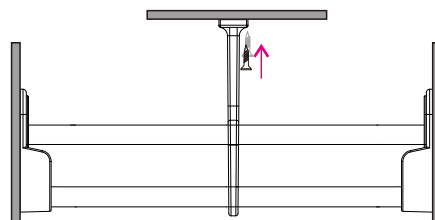
Fix the end caps in wardrobe/closet with M3 x 16 screws.

Step 2



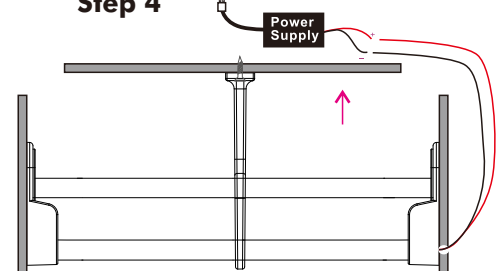
Pass LED profile R003 through the hanging bracket and mount it on the End caps.

Step 3



Fix the hanging bracket with M3 x 16 screws. (We recommend 1 hanging bracket at each 25cm for better support).

Step 4



Connect to a class 2 power supply.