

# MULTI-BEND LED STRIP LIGHT

Model: FA60S28-5M-24V-X (X = COLOR W:Neutral White, WW: Warm White)

**LED WORLD**  
ledworldlighting.com | ledworld.ca  
1-800-387-4081



## MODEL FA60S28-5M-24V-X

- COLOR (W=Neutral White, WW=Warm White)
- VOLTAGE (24V)
- LENGTH (5 Meters/16.4 Foot)
- LED TYPE (2835 SMD)
- LED/METER (60LED/Meter)
- COVER TYPE (Type A, no coating)
- A=IP20 B=IP62 C=IP64
- FLEX STRIP

**24V**  
DC Power

**2.2**  
WATTS  
FOOT

**80**  
CRI

**UL**  
LISTED  
use only with  
Class 2 Type  
power units

flexible

**VIEW ANGLE**  
120°

**25,000+**  
HOURS

TRIMMABLE

**DIMMABLE**

STATIC ELECTRICITY  
CAN DAMAGE  
PRODUCT



## BENEFITS

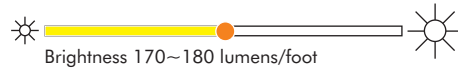
- Angle bendable for custom shape lighting applications
- View Angle 120°
- Double sided 3M Tape backing
- Ultra bright surface - mount LEDs
- Low power consumption and little heat
- No RF interference
- Small Strip width allows to fit within tiny lighting areas
- Long life of LEDs
- Solid-state lighting
- Can be cut to size at marked intervals (Qualified personnel)
- Available in Neutral White & Warm White

## APPLICATIONS

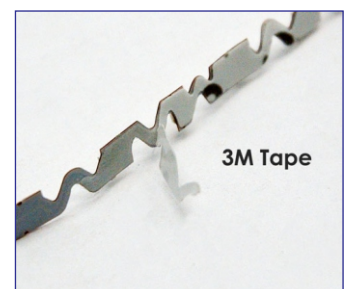
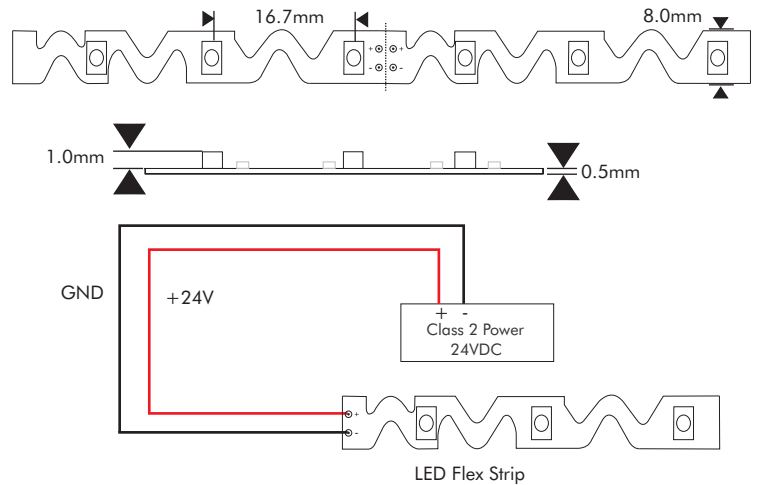
- Backlit Channel Letters
- Architectural accenting
- Backlighting of glass and acrylic
- Corporate showrooms and exhibition Sign displays
- Optional aluminum mounting channel with clear and diffused lens

## SPECIFICATIONS

Roll Size	5 Meters (16.4 Feet)
Max Voltage	24 VDC (regulated/Class 2)
Watt Foot	2.2 (1.5 Amps/Roll)
Light Source	60 pcs/Meter (39.37") 2835 SMD LED
Dimensions	5000(L) x 8.0(W) x 1(H)mm (16.4' x 0.31" x 0.03")
Max Length	5 Meters (16.4 Feet)
View Angle	120°
Brightness	170~180 LM/ft (30.5cm)
Color Temp.	WW: 3100K, W: 4100K
Lamp Life	>25,000 hours (average life)
IP Rating	IP20 Type A
Mount	Smooth Clean Surface/burrows free
Operating Temperature	-25°C ~ +40°C (-13°F ~ +104°F)



## DIAGRAM



## OPTIONAL POWER SUPPLIES/ACCESSORIES

<p>MD-024-060VTDHV2 (60W) Dimmable Class 2</p> 	<p>MD-024-096VTDHV2 (96W) Dimmable Class 2</p> 	<p>MD-024-192VTD52JV2 (192W) Dimmable Class 2</p> 	<p>Wago Block Connectors (#221-413)</p> 
---------------------------------------------------------------------------------------------------------------------------------------	----------------------------------------------------------------------------------------------------------------------------------------	-------------------------------------------------------------------------------------------------------------------------------------------	---------------------------------------------------------------------------------------------------------------------------------