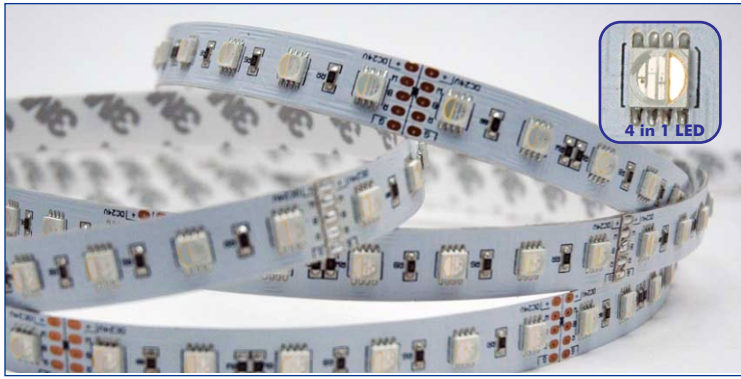


RGBA LED FLEX STRIP

Model: FA60M50-5M-24V-RGBA



MODEL : FA60M50-5M-24V-RGBA

24V
DC Power

6
WATTS FOOT

SUPER BRIGHT
RGBA

LISTED use only with Class 2 Type power units

flexible

VIEW ANGLE
120°

25,000+ HOURS

3 YEARS
Limited Manufacturer Warranty

TRIMMABLE

COLOR CHANGING
4 in 1 LED

STATIC ELECTRICITY CAN DAMAGE PRODUCT

FEATURES

- Soft FPC material, excellent flexibility
- Can be cut at marked intervals (Every 6 LEDs)
- 4 in 1 5050 SMD LEDs (Red, Green, Blue and Amber)
- DC 24V input

APPLICATIONS

- Store Fixture shelving
- Architectural accenting
- Backlighting of glass and acrylic
- Corporate showrooms and exhibition displays

SPECIFICATIONS

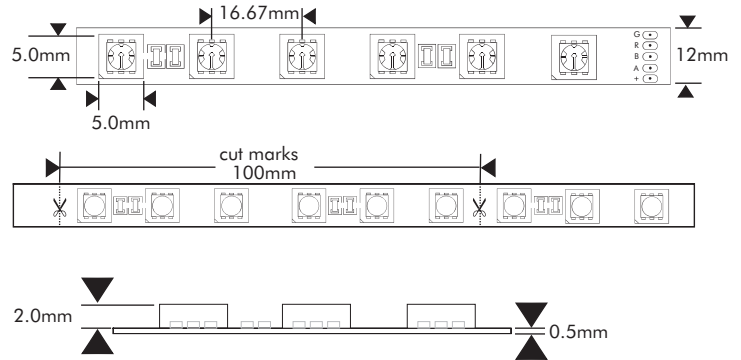
Roll Size	5 Meters (16.4 Feet)
Max Voltage	24 VDC (regulated/Class 2)
Watt Foot	6W (4 Amps)
Light Source	60 pcs/Meter (39.37") 5050 SMD LED
Dimensions	12(W) x 2.5(H)mm (0.47" x 3/32")
Max Length	5 Meters (16.4 Feet)
View Angle	120°
Max Current	250mA/foot
Bend Radius	4 inches (100mm) Max, one flat plane
Lamp Life	>25,000 hours (average life)
IP Rating	IP20 Type A
Mount	Surface: burrows free - metal surface/Aluminium Profiles
Operating Temperature	-25°C ~ +40°C (-13°F ~ 104°F)

WAVELENGTH

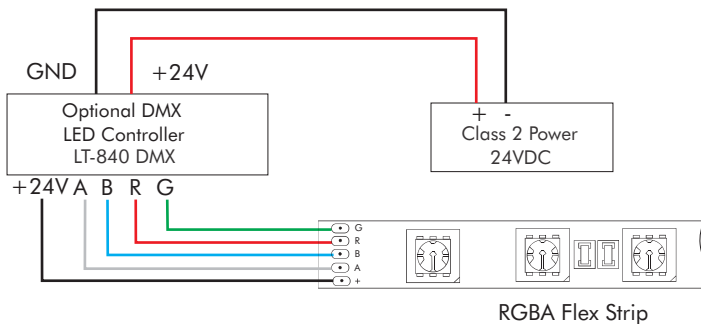
Red	620-625nm
Green	460-470nm
Blue	515-520nm
Amber	600-610nm



DIAGRAM



WIRING DIAGRAM



New RGBA - 4 Color Chips in 1 LED

