

IMPORTANT INSTRUCTIONS

CAUTION: To reduce the risk of electric shock:

- Use only insulated staples or plastic ties to secure cords.
- Route the low voltage wire from the light so that they will not be damaged or pinched when the cabinet is installed (pushed to the wall).
- Not intended for recessed ceiling installation or soffits.

Low voltage portable cabinet light maybe installed in furniture or cabinets when:

- The power supply is located outside cabinets and is not concealed (this does not apply to the wiring between the light and the power supply).
- When the low voltage wire are not concealed or pass through the structure of the building (concealed behind the wall) where it may be inaccessible for examination or where damage to may go unnoticed.
- Cords should be visible and examined regularly.

Installation instructions:

- Must be installed by a qualified licenced electrician.
- Turn power off prior to installation.
- Bore a hole Ø2.16" (55mm) minimum recess depth required 0.17" (4.5mm).
- Route the low voltage wiring through the hole.
- Insert the light into the hole; fiction fit light will lock in place.
- Connect the light's low voltage wiring into the class 2 LED power supply. (#MD-012-060VTDHV2, #MD-012-030VTDHV2 - sold separately).

WARNING: Use only with Class 2 Power Supply. Always connect the LED light to the power supply first and then connect the power supply to the mains. Failure to do so may cause damage to the existing diode.

INSTRUCTIONS IMPORTANTES

MISE EN GARDE: Afin de prévenir les risque incendie ou de choc électrique:

- N'utilisez que des crampons isolés ou des attaches en plastique pour fixer les cordons.
- Passez le câble de basse tension à partir du luminaire afin de ne pas l'endommager ou de le coincer une fois l'armoire installée (poussée contre le mur).
- N'est pas conçu pour l'installation de luminaires encastrés au plafond ou les soffites.

Les baladeuses de basse tension peuvent être installée dans un meuble ou dans une armoires lorsque:

- L'alimentation électrique est située à l'extérieur des armoires et n'est pas dissimulée (ceci ne s'applique pas au câblage entre le luminaire et l'alimentation électrique).
- Le câble de basse tension n'est pas dissimulé ou passé à travers la structure de l'immeuble (dissimulé derrière le mur), le rendant inaccessible pour une verification et ou des dommages pourraient passer inaperçus.
- Les cordons doivent être visibles et examinés régulièrement.

Instructions d'installation:

- Pour de meilleurs résultats, ayez recours aux services d'un électricien agréé qualifié pour une installation professionnelle de votre luminaire.
- Fermez l'alimentation électrique avant de procéder à l'installation.
- Percez un trou de Ø2.16" (55mm) profondeur de l'embrasure minimum requise de 0.17" (4.5mm).
- Passez le câble de basse tension à travers le trou.
- Insérez le lumière dans le trou afin de fixer solidement le luminaire en place.
- Branchez le câble de basse tension du lumière dans la l'alimentation LED classe 2. (#MD-012-060VTDHV2, #MD-012-030VTDHV2 - vendu séparément).

MISE EN GARDE: Utiliser uniquement avec une unité de puissance de classe 2. Il faut toujours brancher le luminaire DEL à source d'alimentation en premier et ensuite brancher l'alimentation à la source principale d'alimentation électrique. Le défaut de le faire pourrait causer des dommages à la diode en place.

THREE YEAR LIMITED LIGHTING WARRANTY

LED WORLD INC. warrants this product for three year (some exceptions may apply) from the date of shipping unless otherwise noted in writing. This warranty is expressly in lieu of all other warranties expressed or implied. Under this Limited Warranty, the obligation of the company is limited to replacing on a prorated basis, at its option, any component found to be defective. This Limited Warranty does not apply to damage caused by buyer or alteration to the product or incorrect power supply. Factory warranties are covered by the original manufacturer and claims must be submitted to them.

LED World Inc. And its providers will never be liable to you or any other person for any indirect, incidental, consequential, special, punitive or exemplary loss or damage arising from, connected with, the purchase of products, including but not limited to loss of data, business, markets, cost of labour, savings, income, profits, use, production, reputation or goodwill, anticipated or otherwise, or economic loss, under any theory of liability (whether in contract, tort, strict liability or any other theory or law or equity), regardless of any negligence or other fault or wrongdoing (including without limitation gross negligence and fundamental breach) by led world inc. Or any person for whom led world inc. Is responsible, and even if led world inc. Has been advised of the possibility of such loss or damage being incurred.

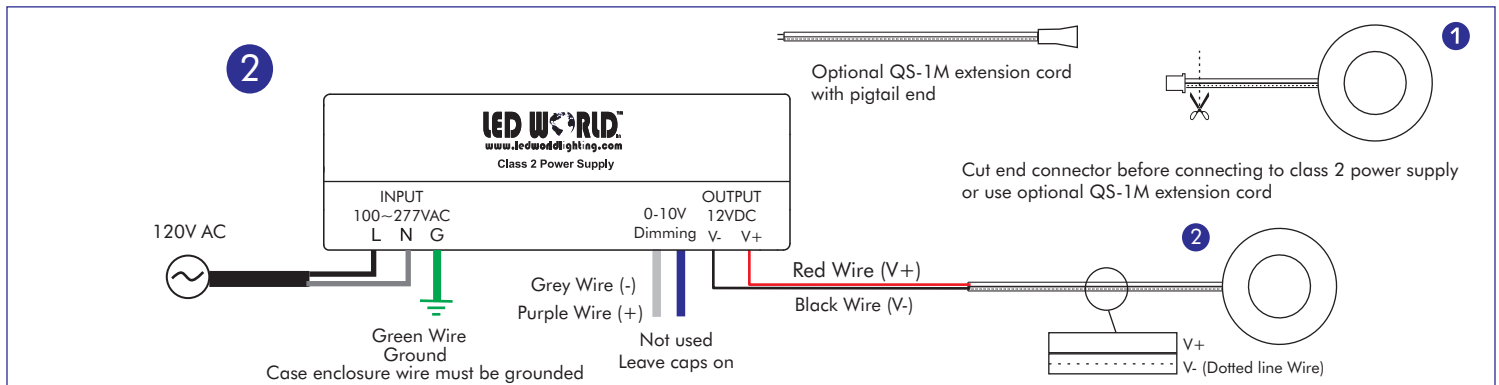
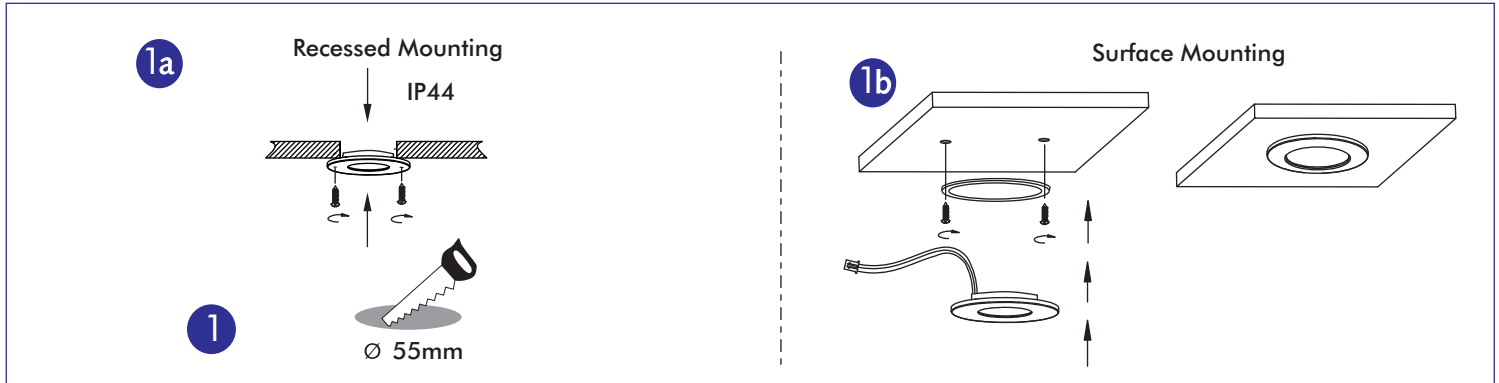
If a product is defective, we will replace the product with similar or identical product or at our option a credit towards a future purchase. To make a claim under this warranty, obtain a return authorization number.

LED PUCK LIGHT (Recessed/Surface Mounted)

Model : QS-107T-2.2W-12V-X

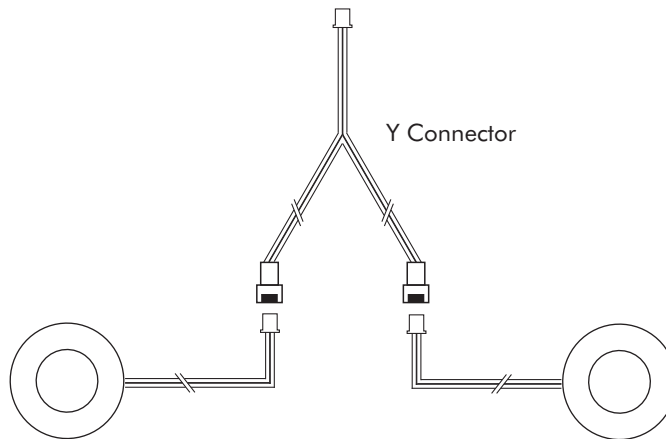
LED WORLD™
ledworldlighting.com | ledworld.ca
1-800-387-4081

For Under Cabinet lighting and Under Counter Top Lighting



Serial Connection

Class 2 12VDC Power Input



RECESSED MOUNTING:

- Turn off the power at breaker
- Drill a Ø55mm hole through cabinet or shelf, see fig 1.
- Connect light to the Class 2 driver, see fig 2.
- Insert the recessed puck light into the cut hole and mount with screws, see fig 1a.
- Turn on the power.

SURFACE MOUNTING:

- Turn off the power at breaker.
- Take the surface mounting ring off the fitting, see fig 1b.
- Mount the ring to surface with the attached screws, pay attention to the direction of the notch for the cord, see fig 1b.
- Connect light to the Class 2 driver, see fig 2.
- Attach the recessed puck light back into the surface mount ring, see fig 1b.
- Turn on the power.